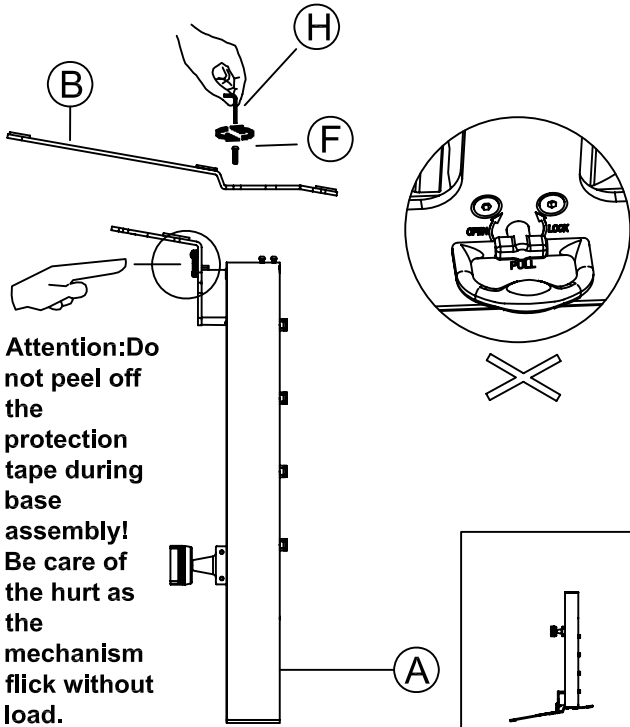


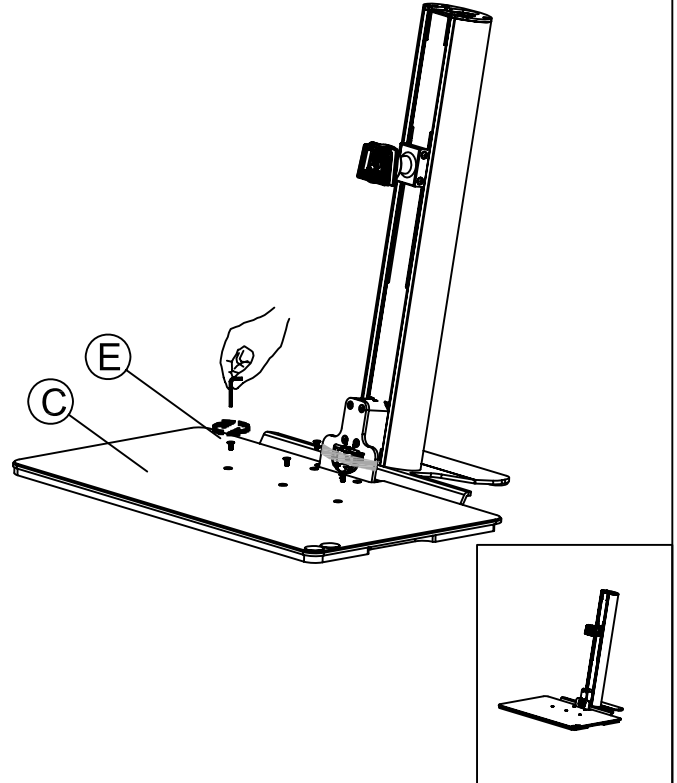
Installation Manual

Model NO.: H100

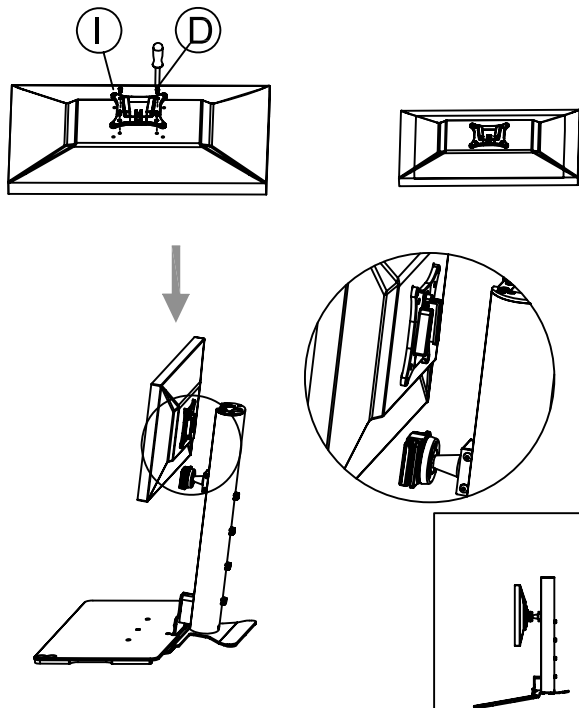
Base Installation



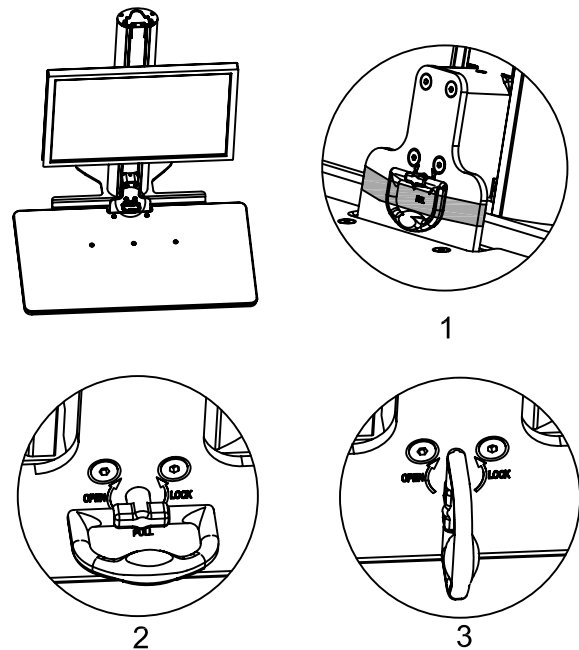
Keyboard Holder Installation



Monitor Installation



Height adjustment

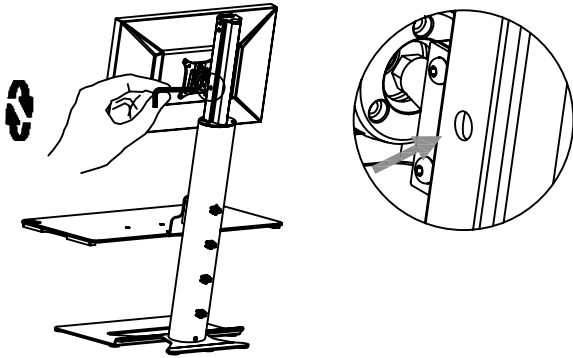


Peel off the protection tape on the handle, pull the handle, and turn 90° in clockwise direction. then freely to adjust up and down. Use reverse operation to lock it.

Installation Manual

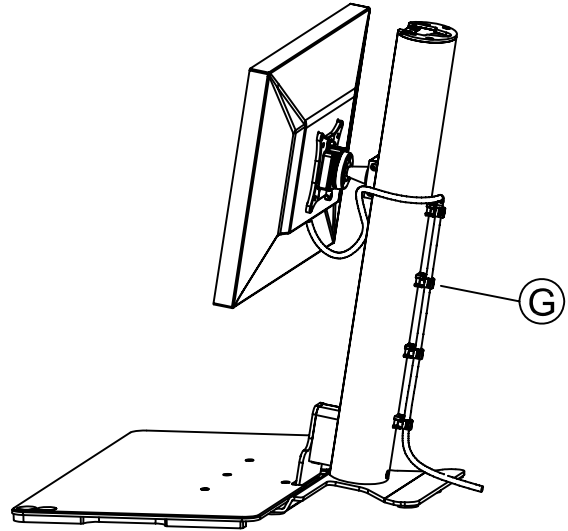
Model NO.: H100

Monitor height & resistance adjustment



Monitor is freely to adjust up & down and stay any position
When monitor can't be hovered, adjust the tension bolt in clockwise direction to add damping.

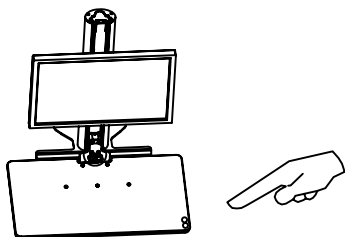
Wire management



When manage the wires, the tie should be passed through clip to route the wires, adjust the tightness till the last tie is binded. Then adjust the monitor and keyboard holder on the top position, tighten the ties after enough wire length is kept.

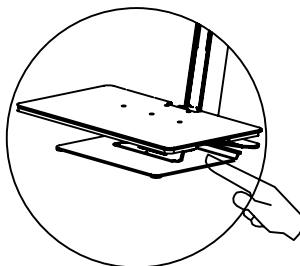
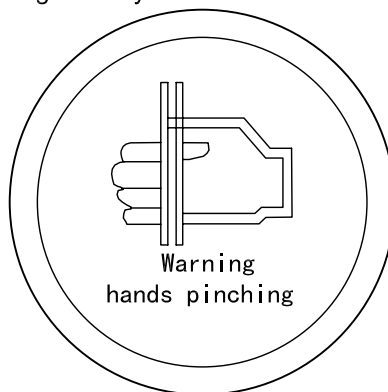
Warning 1

No holding yourself on the keyboard holder.



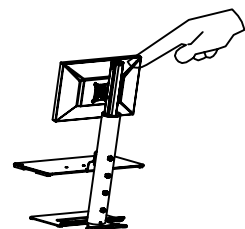
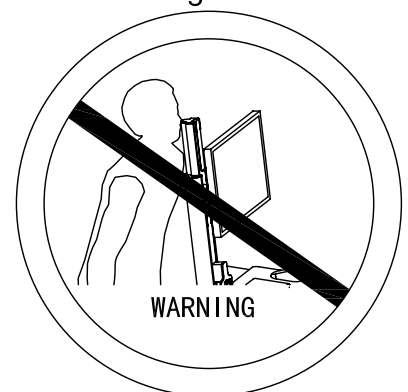
Warning 2

No pinching hand when adjusting height of keyboard holder.



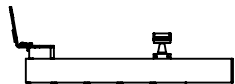
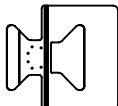
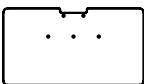






Warning 3

Careful in height adjustment, avoid standing backside.



Installation Manual

Model NO.: H100

Hardware			
No.	Photo	Name	QTY
A		Post assembly	1
B		Base	1
C		Keyboard holder	1
D		Cross head screws M4*12	4
E		Socket cap screws M5*10	5
F		Socket head screw M5*20	2
G		Cable Ties	4
H		3# Spanner 100mm	1
I		VESA plate	1