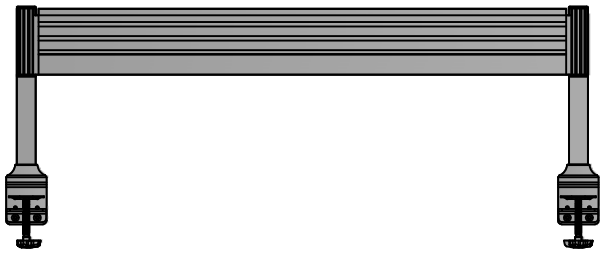


Installation Manual

Model No: PF-A

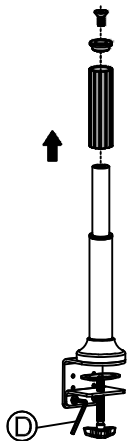
PF-A



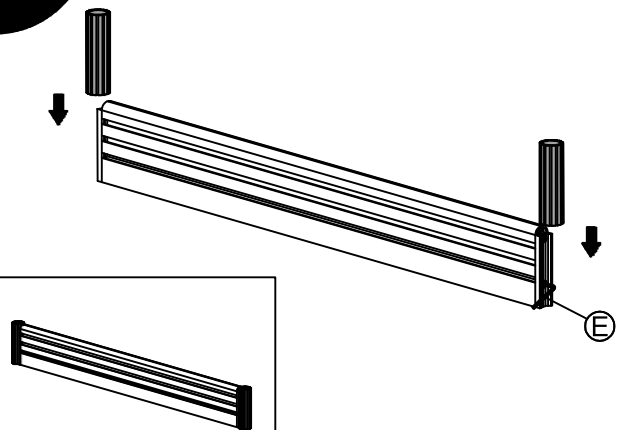
Parts list

No.	ITEM	SPECS	QUANTITY
A			2
B			1
C		M8	1
D		M5	1
E		M4	1

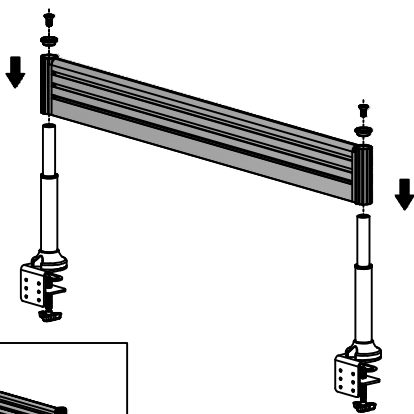
1



2



3



4

