

Product name: Sit-Stand Workstation for Dual Monitor

Model No.: H200

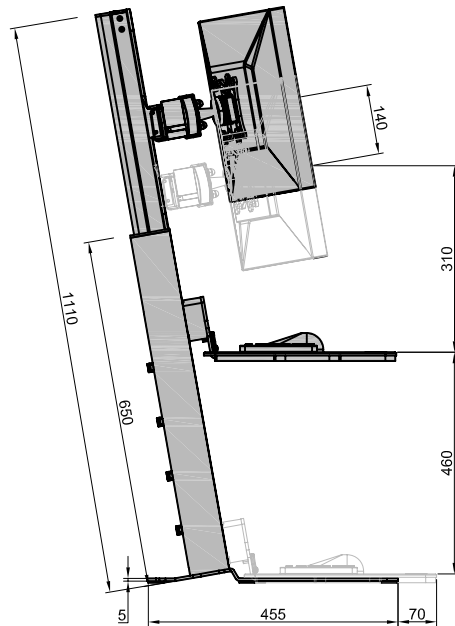


Product Features

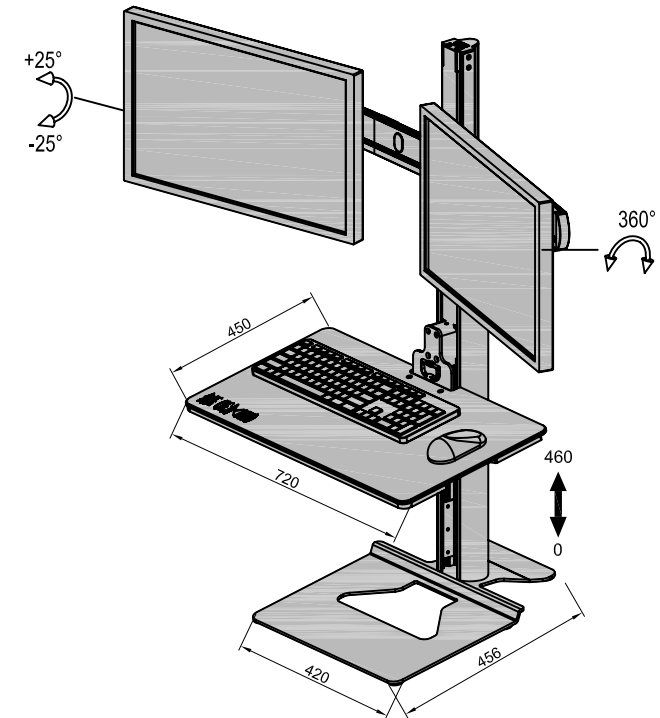
- Easy to adjust the monitor angle and position to satisfy the different view
- Use the gas cylinder adjust design, make free up & down movement for the monitor and keyboard

Technical parameter

LCD Size	Monitor WT	Keyboard Tray WT	Monitor Lift(mm)	Keyboard Lift(mm)	Tilt	Swivel	Pivot	VESA	Packing size(mm)	NW (kg)	GW(kg)
< 30"	1-3	0-10	140	460	+25°~-25°	±25°	±90°	75*75 100*100	920*510*280	15.5	19



Product Dimensions



Multifunctional adjustment figure