

Product name: Cuad Free Standing Monitor Bracket

Model No. : BL400

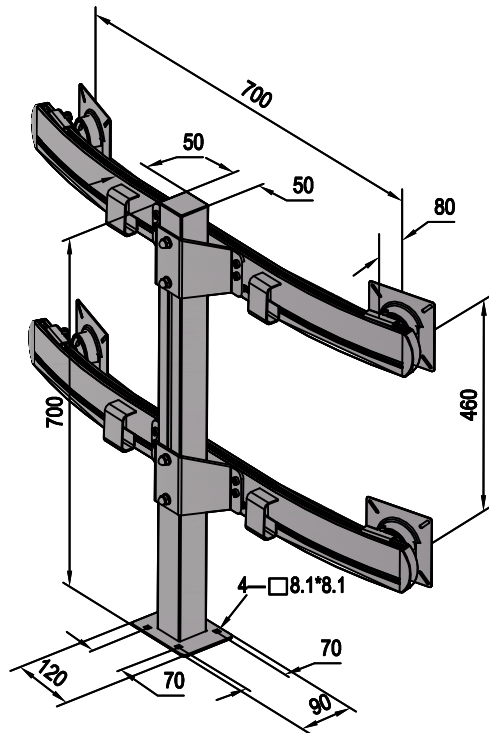


Product Features

Made of sheet metal with space painting. Widely used in console, financial, and security system etc.

Cable management, keep the workstation clean and beautiful

Product Dimensions



Technical parameter

								<b>GW (kg)</b>
LCD Size	Wt.Capacity	Lift	Tilt	Swivel	Pivot	VESA (mm)	Packing size	9.3
≤24"	8	—	±25°	±25°	360°	75*75 100*100	900*430*140	<b>NW (kg)</b>
								7.8

Multifunctional adjustment figure

