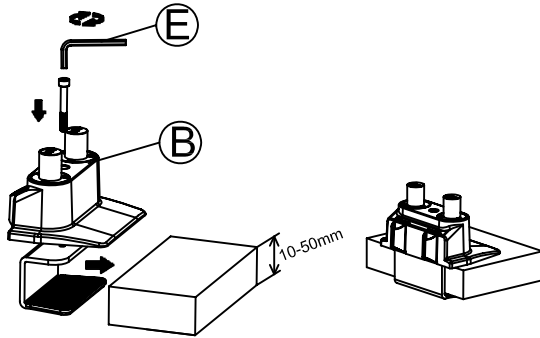
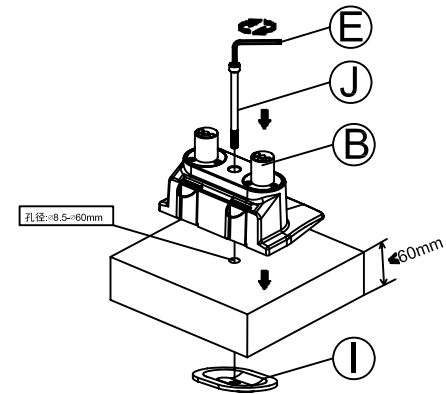
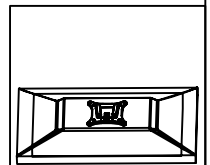
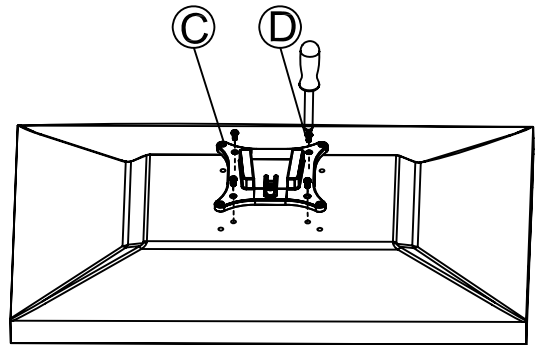


Model No.: K200

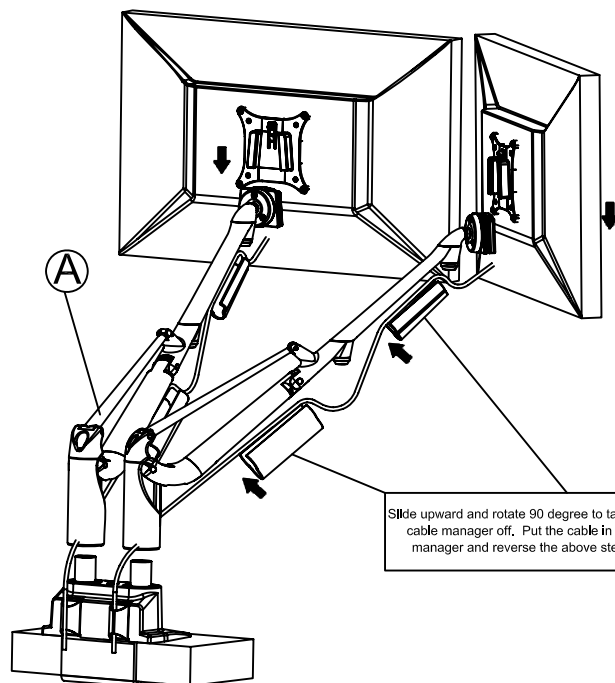
Base assembly



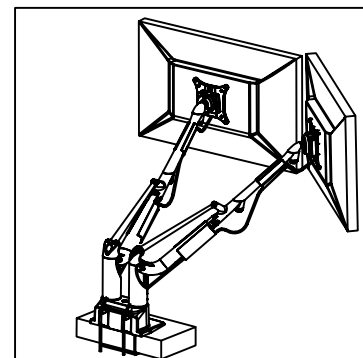
Monitor assembly



Arm assembly



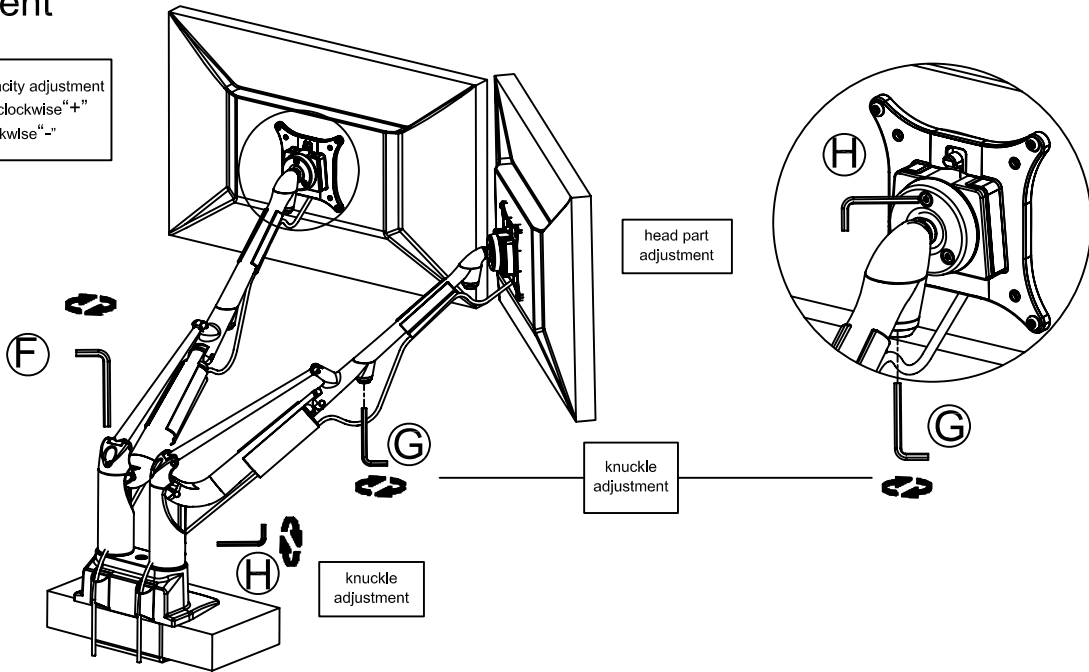
Slide upward and rotate 90 degree to take the cable manager off. Put the cable in the manager and reverse the above step.



Model No.: K200

Adjustment

weight capacity adjustment
Counter-clockwise "+"
Clockwise "-"



Hardware

No.	Picture	Description	Quantity
A			2
B			1
C			2
D		M4*12	8
E		M6	1
F		M5	1
G		M4	1
H		M3	1
I			1
J		M8*160	1