

LCD Monitor Arm // Installation Manual

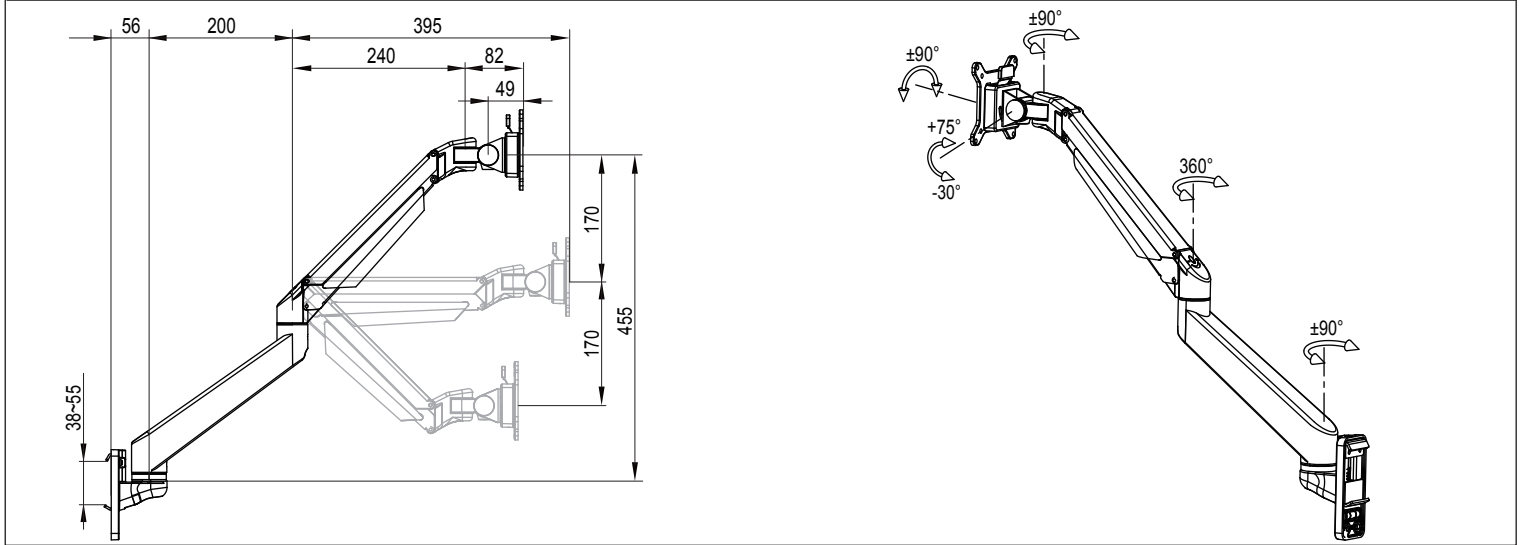
Product name: Full motion slat rail gas arm

Model no. BS114

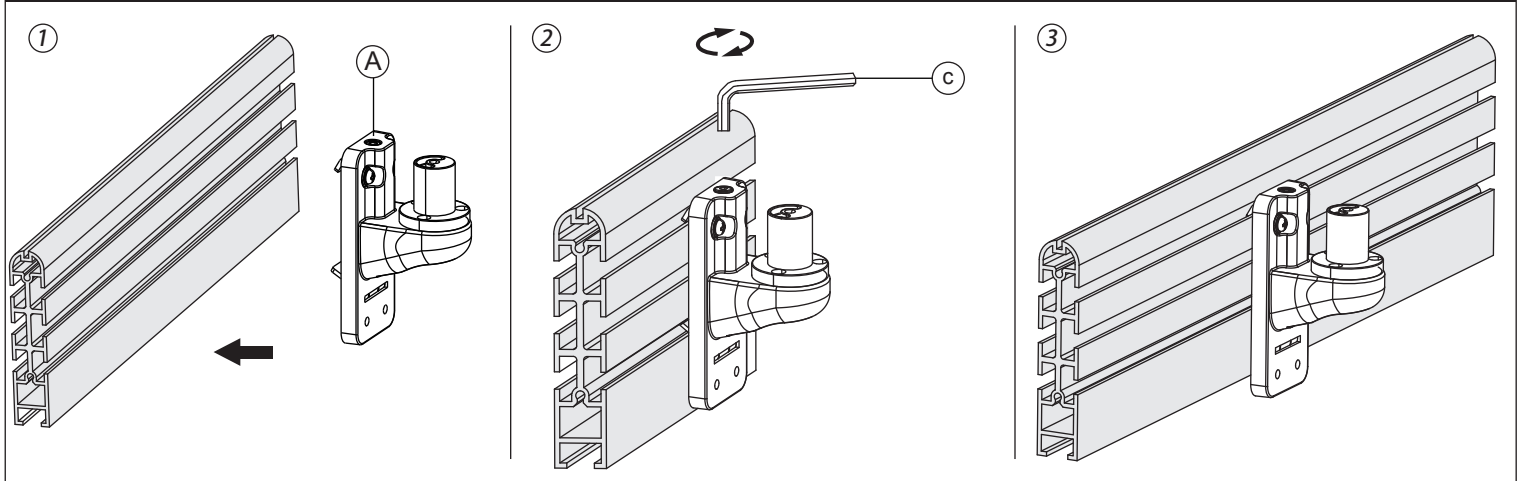
Product Specification

Sketch											
Item	Monitor size	Weight range (kg)	Lift(mm)	Tilt	Swivel	Pivot	VESA	Packing size (mm)	N.W(kg)	G.W(kg)	Clamp size (mm)
Specification	≤30°	2-10	340	+75°~ -30°	±90°	±90°	75*75	Inner: 475*195*140	Inner: 2.6	Inner: 3.1	38~55
		8-20						Outer: 490*210*440			

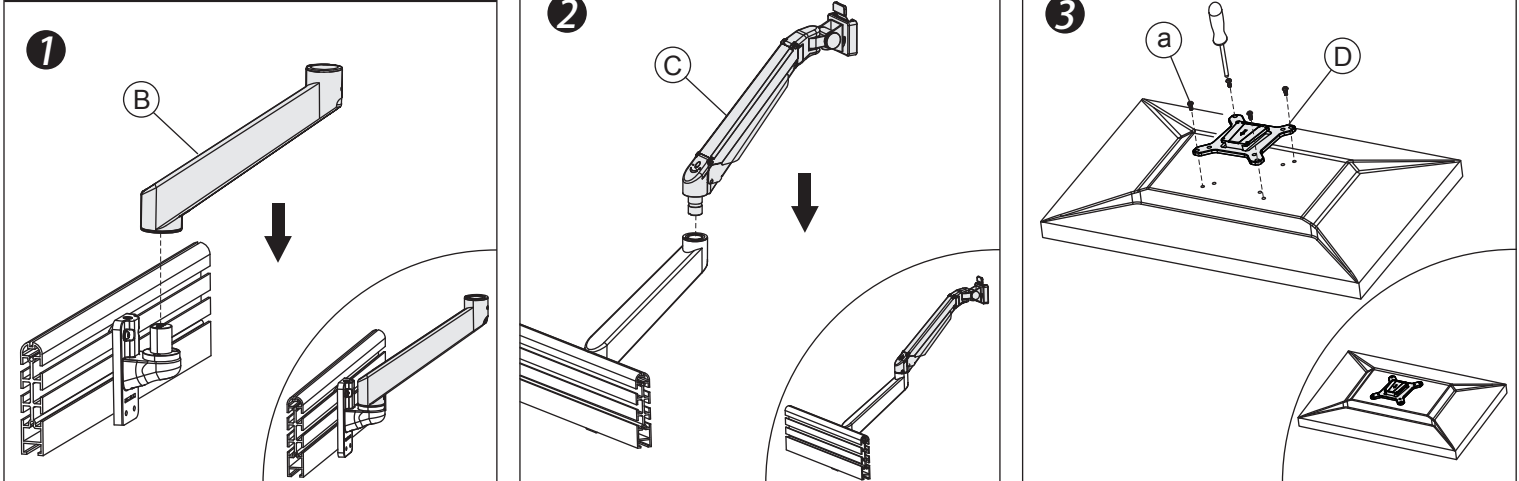
Product Size

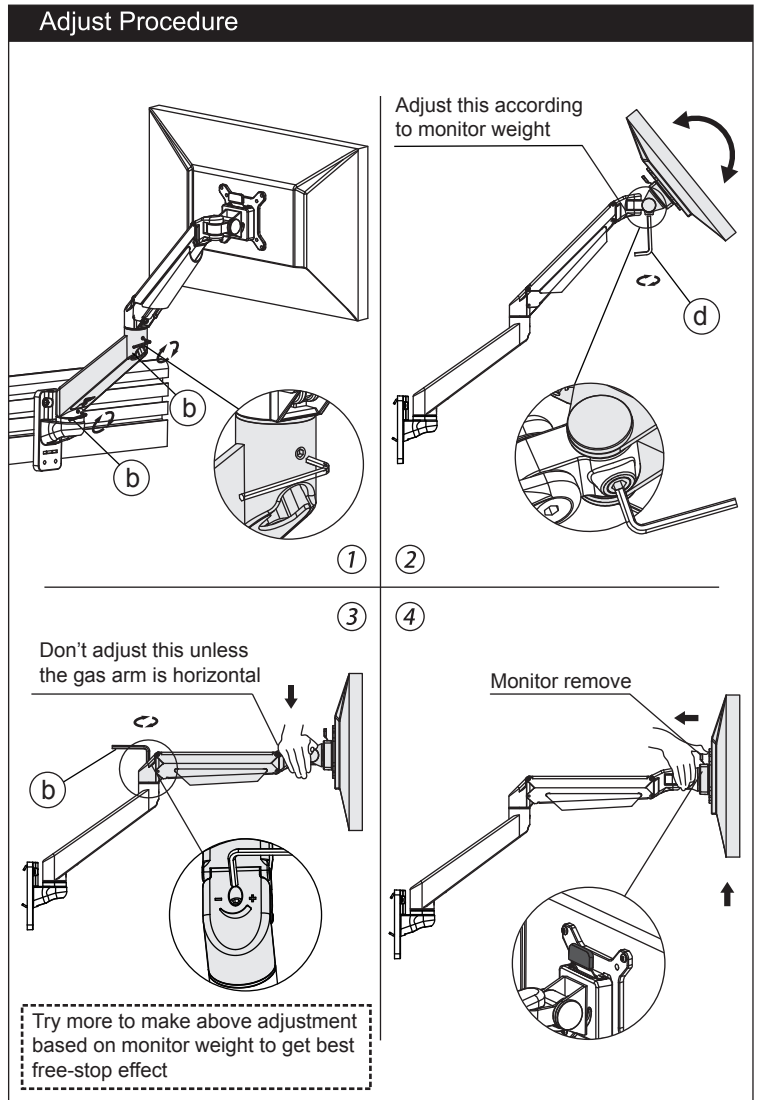
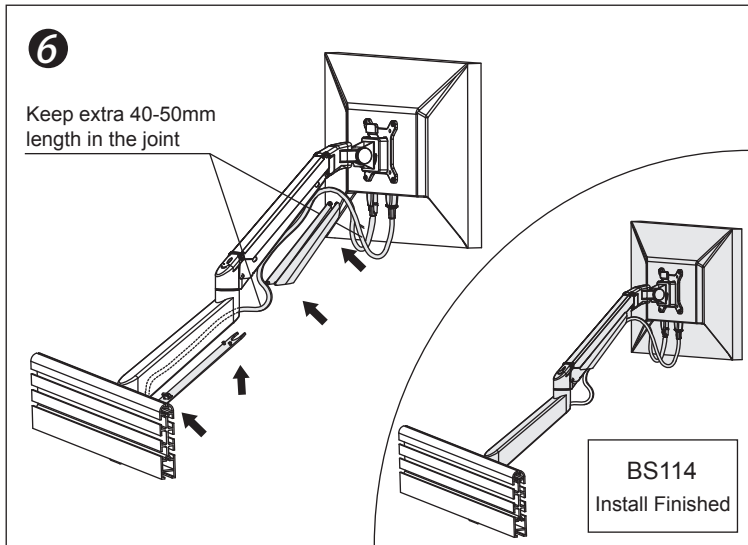
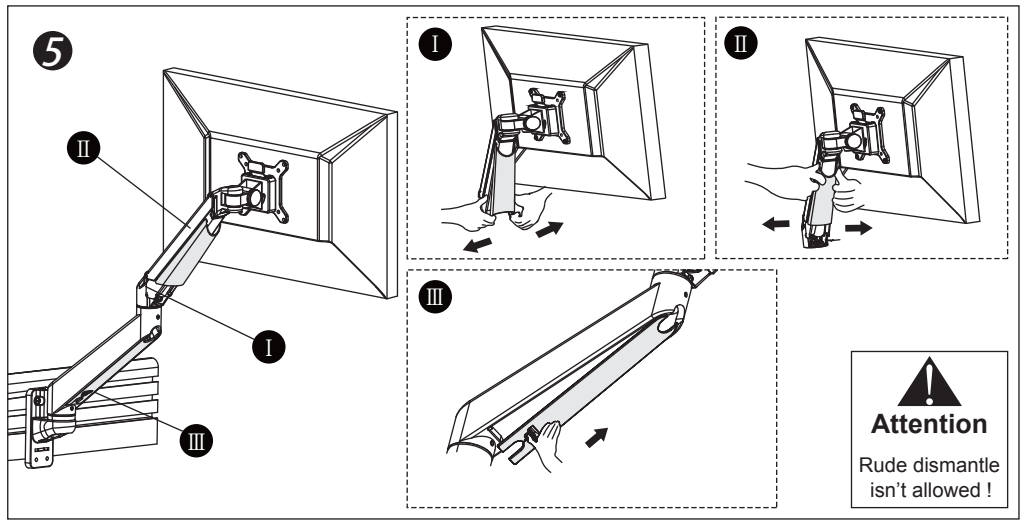
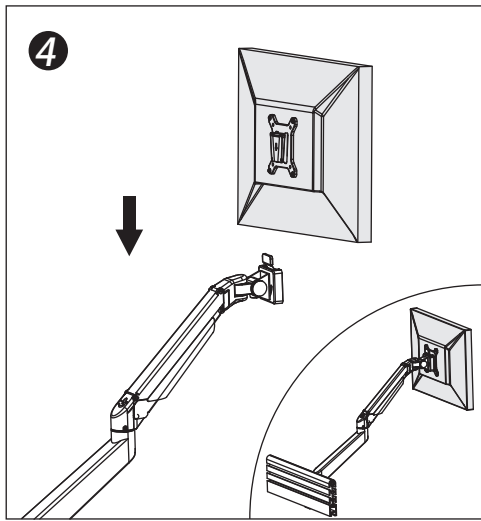


Installation of Slat Rail-fixed Base



Install Procedure





Module List			
No.	Sketch	Specs	Quantity
A			1
B			1
C			1
D			1

Part List			
No.	Sketch	Specs	Quantity
a		M4x12	4
b		M4	1
c		M5	1
d		M6	1