

LCD Monitor Arm // Installation Manual

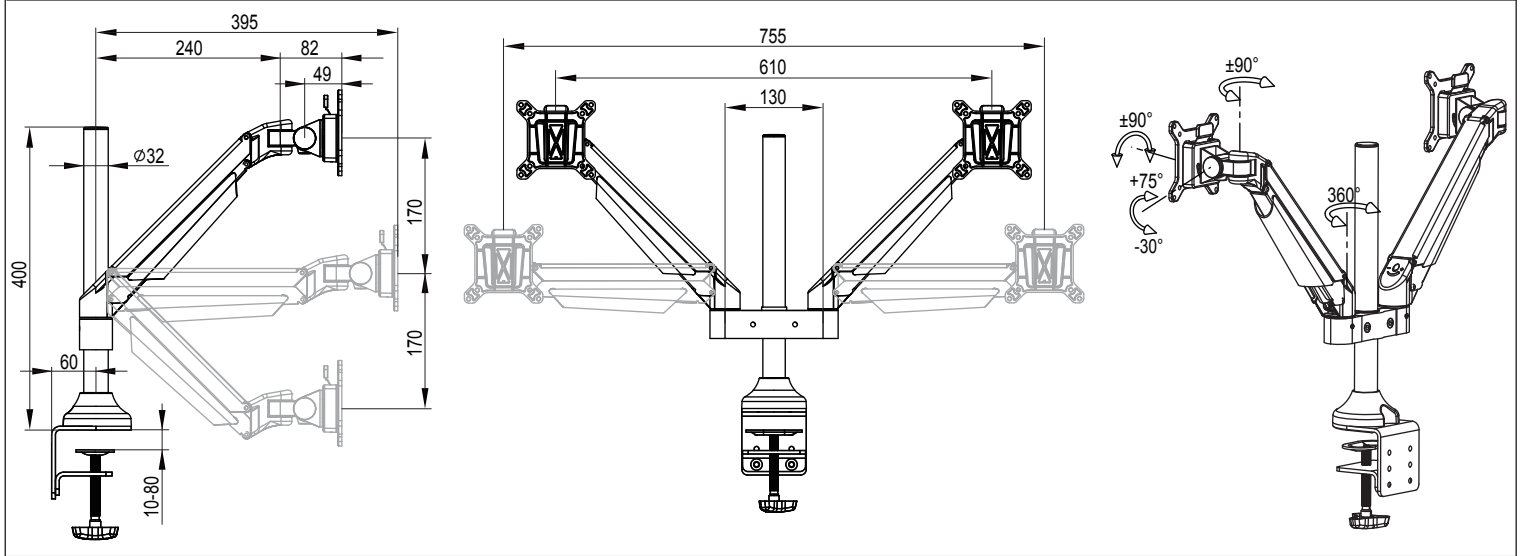
Product name: Full motion pole dual monitor gas arm

Model no. BS200

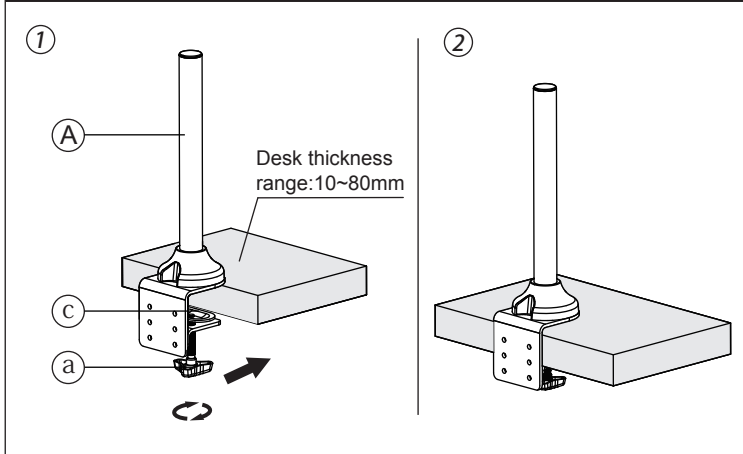
Product Specification

Sketch											Desk thickness(mm)	
Item	Monitor size	Weight range (kg)	Lift(mm)	Tilt	Swivel	Pivot	VESA	Packing size (mm)	N.W(kg)	G.W(kg)	Thru-desk	Desk clamp
Specification	≤24"	2-10	340	+75°~ -30°	±90°	±90°	75*75	Inner: 540*220*145	Inner: 5.8	Inner: 6.5	30	80
		100*100					Outer: 555*235*455	Outer: 17.5				

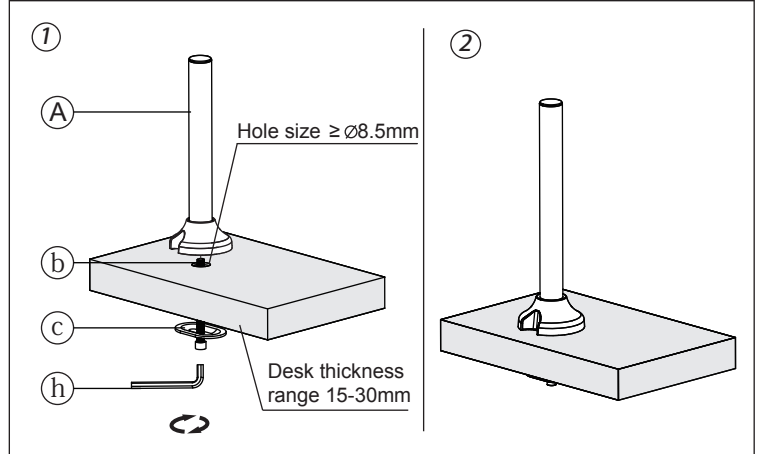
Product Size



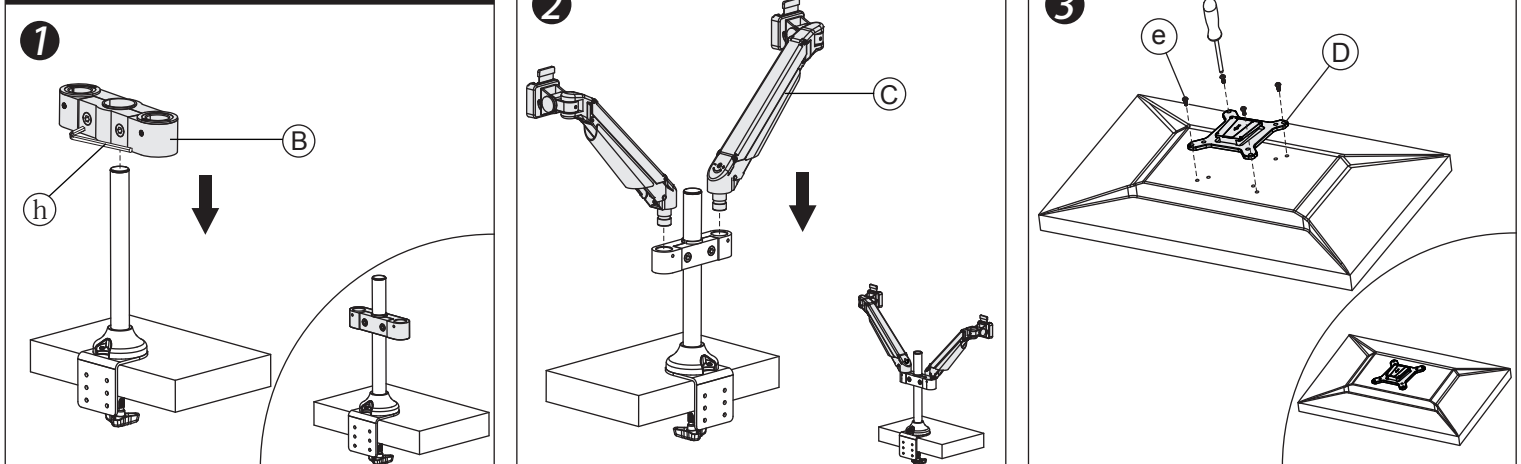
Installation – Desk Clamp

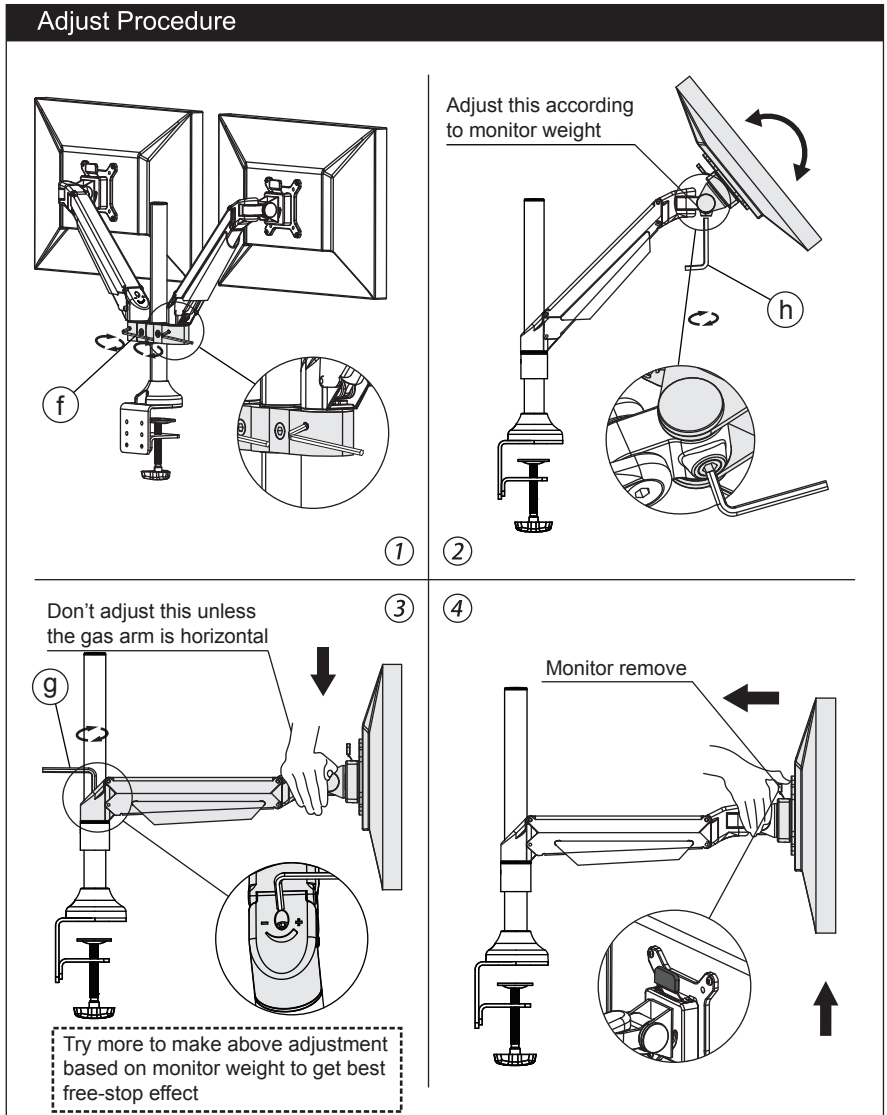
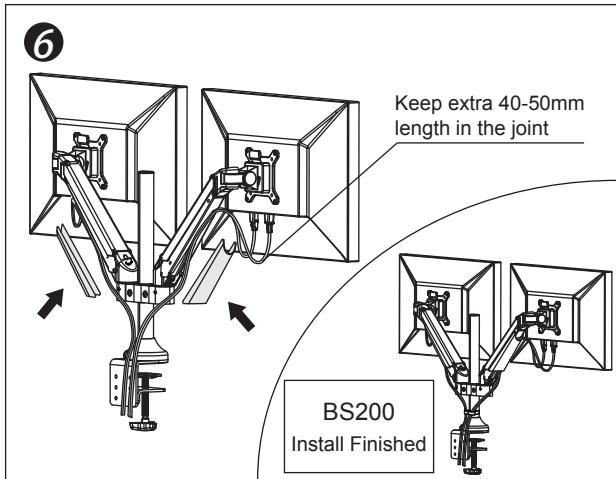
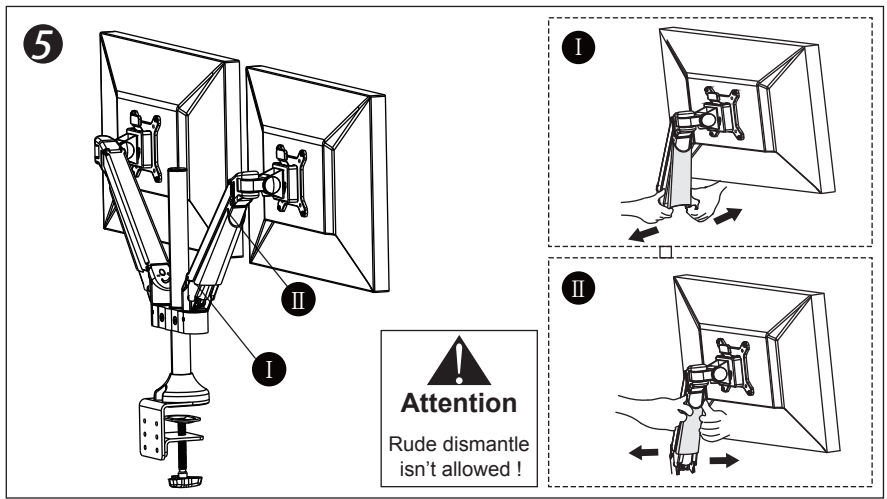
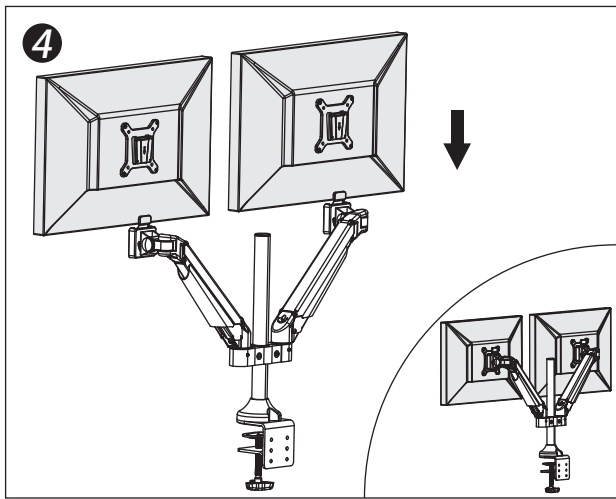


Installation – Thru-desk



Install Procedure





Module List			
No.	Sketch	Specs	Quantity
A			1
B			1
C			2
D			2

Part List			
No.	Sketch	Specs	Quantity
a		M12x90	1
b		M8x60	1
c			1
d			1
e		M4x12	8
f		M3	1
g		M4	1
h		M5	1
i		M6	1