

LCD Monitor Arm // Installation Manual

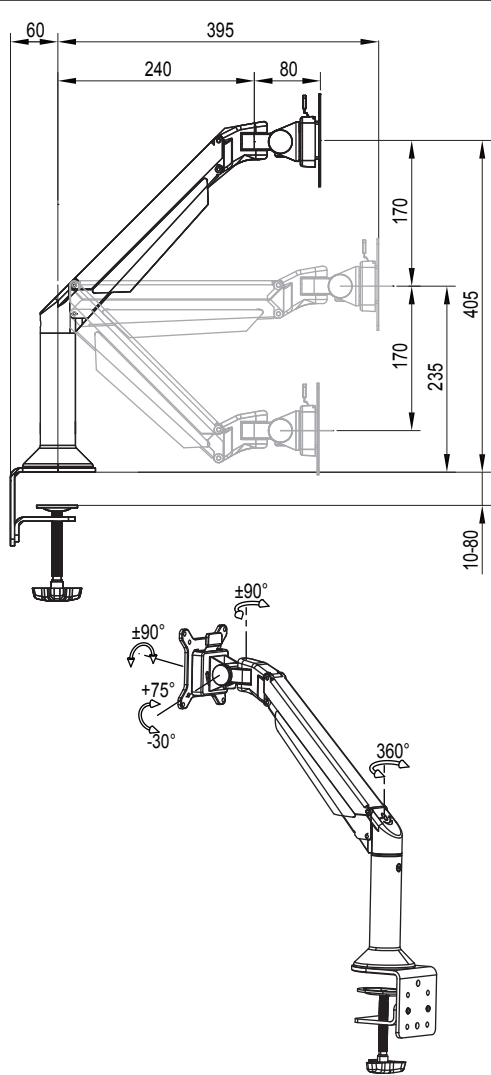
Product name: Full motion desk gas arm

Model no. BS101

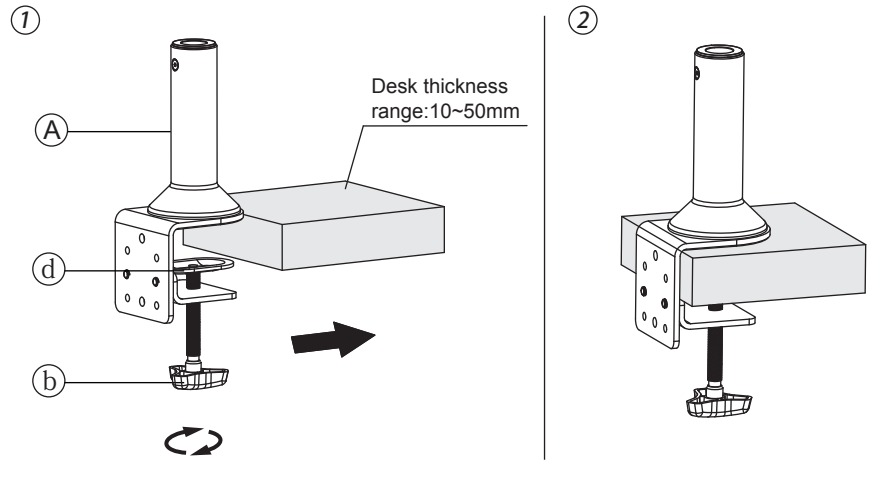
Product Specification

Sketch											Desk thickness (mm)	
Item	Monitor size	Weight range (kg)	Lift (mm)	Tilt	Swivel	Pivot	VESA	Packing size (mm)	N.W(kg)	G.W(kg)	Thru-desk	Desk clamp
Specification	≤30°	2-10	340	+75°~ -30°	±90°	±90°	75*75	Inner: 475*195*140	Inner: 3.5	Inner: 4.1	80	80
		8-20						Outer: 490*210*440				

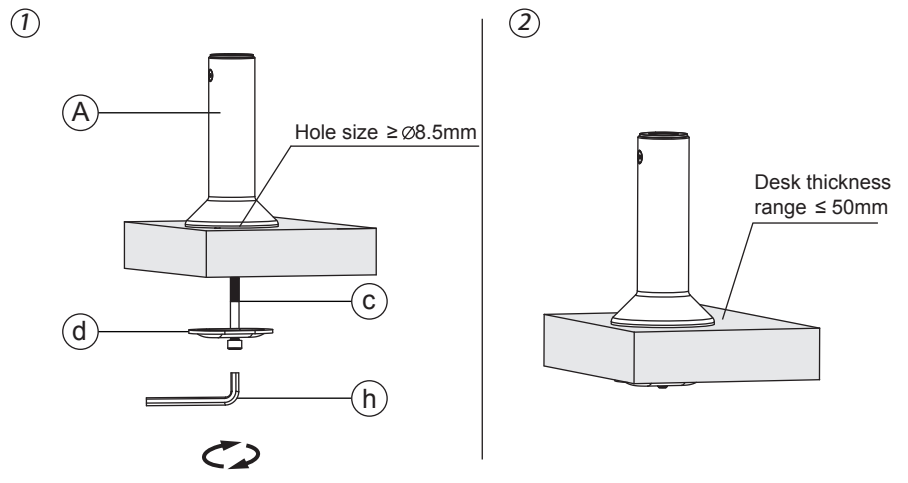
Product Size



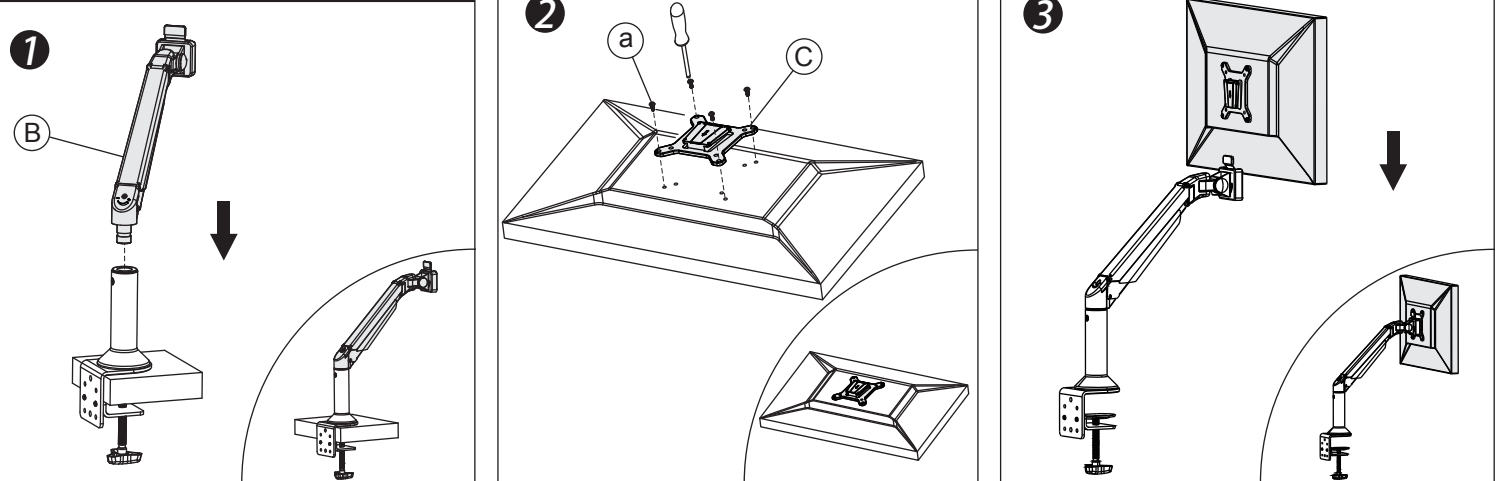
Installation – Desk Clamp

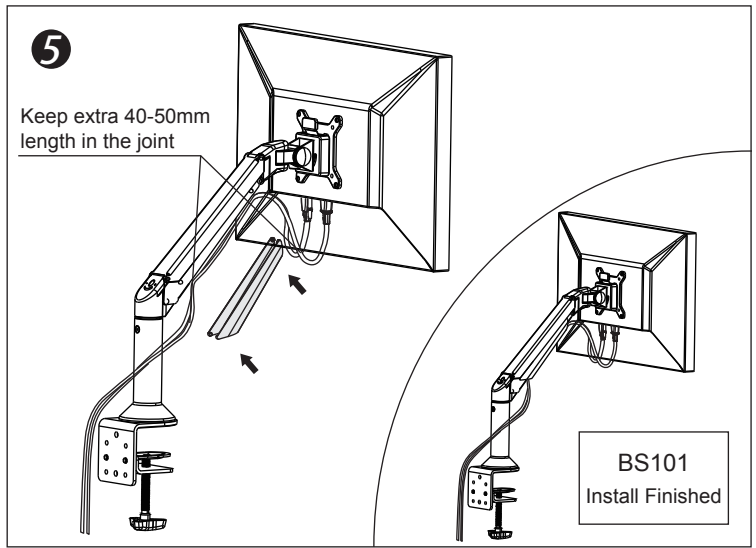
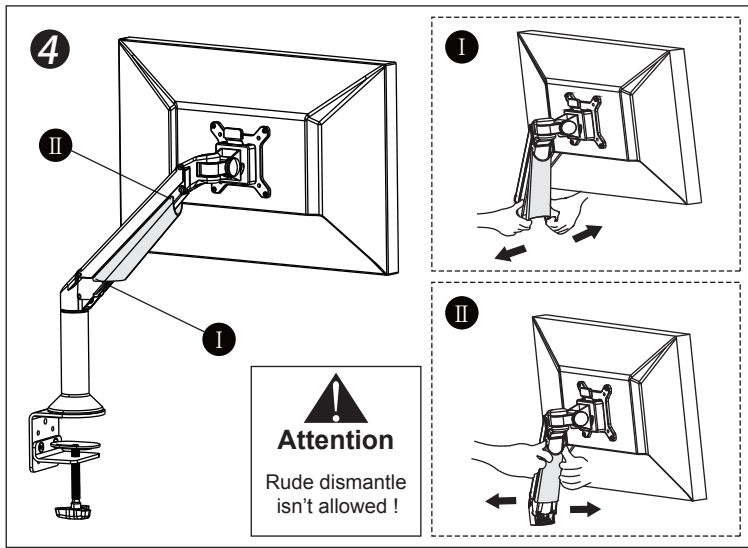


Installation – Thru-desk

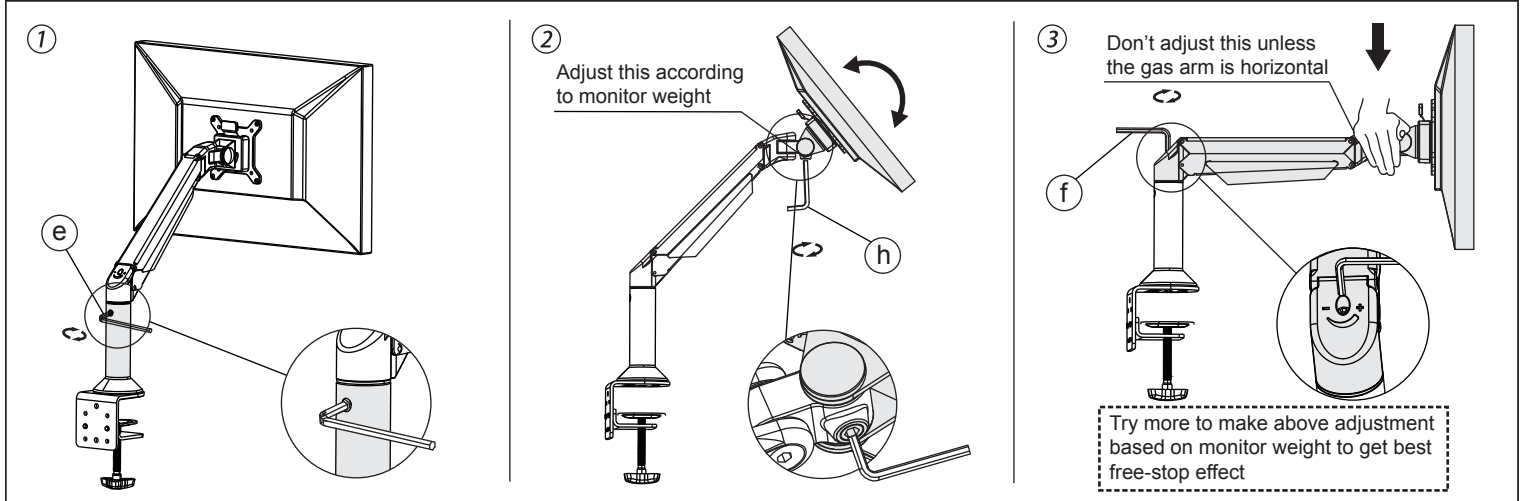


Install Procedure





Adjust Procedure



Module List			
No.	Sketch	Specs	Quantity
A			1
B			1
C			1

Part List			
No.	Sketch	Specs	Quantity
a		M4x12	4
b			1
c		M8x160	1
d			1
e		M3	1
f		M4	1
g		M5	1
h		M6	1

