

hexergo® 慧想



# AE5 Series



MOVE TO CREATE

创 随 心 动



# | AE5 系列

## 产品简介 Product Introduction

采用独特的缓释韧性弹簧技术, 可以为显示器带来更顺畅的升降体验。悬停稳定性和使用寿命也会优于普通机械弹簧。Vesa快装结构与可拆卸线卡, 让安装和理线变得更为便捷。模块化的双屏拓展底座, 可以在后期轻松应对拓展双屏的需求。

The unique gradual-release flexible spring technology can bring a smoother lifting experience to the display. Hover stability and service life are also better than ordinary mechanical springs. Quick-release VESA mount and removable cable clip make installation and cable management easier. The modular double screen expansion base can easily cope with the future needs for double screen scenario.



产品简介

产品特点

规格信息

产品线延展



## VESA快装结构

Quick-release VESA Mount Structure

两步快装，一扣一推，显示器稳固无需担心

Two-step quick installation: Click&Push, ensuring the monitor is securely mounted

## 铝合金一体压铸成型

Aluminum Alloy Single-Piece Die-Casting

精铝一体压铸工艺，铸就浑然天成的恒久之美

Precision aluminum Single-Piece die-casting process, crafting a timeless beauty with seamless durability

## 可视化调节窗口

Visual Adjustment Window

实时掌握支撑力变化，精准匹配显示器重量

Real-time monitoring of support force changes, ensuring precise weight matching for the monitor

## MagCover磁吸盖板

MagCover Magnetic Cover Plate

防尘藏孔的贴心设计，取放毫不费力，美观实用

Thoughtfully designed with a concealed dust-proof hole, ensuring easy removal while maintaining aesthetics and practicality



## 可拆卸线卡

Detachable Cable Clips

单手取下，单手扣上，适应更多线缆管理需求

Easily detachable with one hand, convenient for various cable management needs



## 隐藏导线口

Concealed Cable Routing

繁杂线缆直接引至桌后，正面无线效果

Directly route cables to the back of the desk, maintaining a clean, wireless front

## 大容量集线仓

Spacious Cable Management Compartment

更大的内部空腔，插头与线材均能通过

Larger internal space to accommodate both plugs and cables



## 多屏拓展

### Multi-Screen Expansion

模块化底座设计，灵活切换单双屏状态

Modular base design, allowing flexible switching between single and dual Arm setups

## 稳固安装

### Enhanced Stability

加强型一体式钣金折弯，双层缓冲垫片

Reinforced one-piece metal bending with double-layer cushioning pads for enhanced stability



# 五轴灵动 恒定自如

Five-Axis Flexibility,  
Constant and Effortless

五轴丝滑调节, 随心而动, 上下、前后、左右、俯仰、旋转以更舒适的视界, 激发更多创造力。

Seamless five-axis adjustment for effortless movement in all directions: up, down, forward, backward, tilt, and rotation. Achieve a more comfortable viewing angle to inspire greater creativity



屏幕俯仰  
Screen Tilt

+75° ~-15°



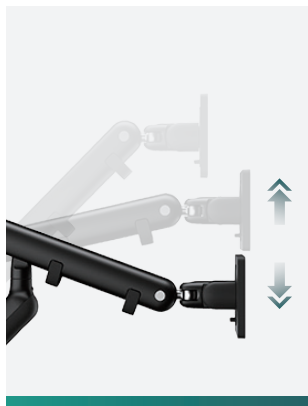
屏幕旋转  
Screen Rotation

360°



屏幕摆动  
Screen Swivel

± 90°



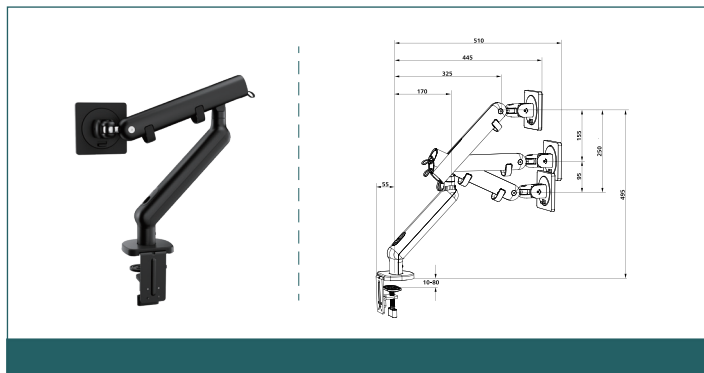
上下升降  
Height Adjustment

250mm



前后拉伸  
Move Back And Forth

510mm



### 适用尺寸

Screen Size

17-34"

### 承重范围

Weight Capacity

2-9KG

### 主材

Main Materials

铝合金/冷轧钢/ABS

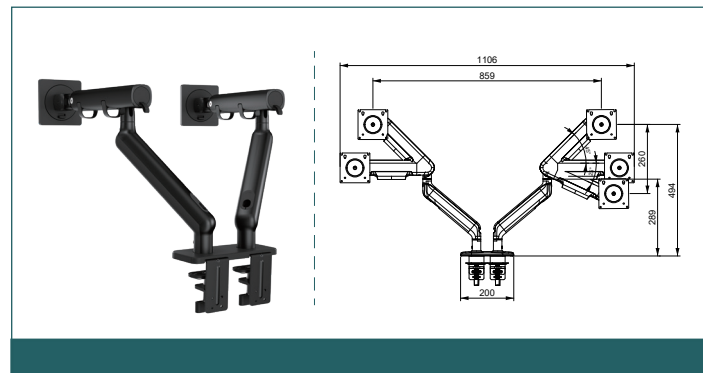
Aluminum Alloy / Cold-Rolled Steel / ABS

### 颜色

Available Colors

曜黑/珠白/星云钛

Black / White / Titanium



### 升降范围

Height Adjustment Range

250mm

### 拉伸距离

Extension Distance

510mm

### 安装方式

Mounting Method

夹持/Clamp 10-80mm

穿孔/Grommet 10-80mm

### 孔距

VESA Hole Spacing

75\*75mm

100\*100mm





星云钛  
Nebula Titanium



曜黑  
Obsidian Black



珠白  
Pearl White











400-600-5155  
上海新慧想科技有限公司

SHANGHAI NEW THINKWISE TECHNOLOGY CO., LTD