

hexergo® 慧想

CL/BL

Series



MOVE TO CREATE

创 随 心 动



| **CL** 系列

| **BL** 系列

# CL 系列

## 产品简介 Product Introduction

采用航空铝材加阳极氧化工艺。升级的多功能仿生机械横臂，支持上下前后等屏幕间的细微角度调整。升级的丝杆调节立柱系统，让用户可以更轻松、精准地调节上下屏幕间的距离。

The process of aviation aluminum and anodizing is adopted. The upgraded multi-functional bionic mechanical crossarm supports subtle Angle adjustment between the front and rear screens. The upgraded screw adjustment column system allows users to more easily and precisely adjust the distance between the upper and lower screens.



## 产品特点 Product Features

### 丝杆调节立柱系统 Screw Adjusting Column System

丝杆调节立柱系统，可精准控制上下屏幕间距。

The screw adjustment column system can accurately control the distance between the upper and lower screens.



## 产品特点 Product Features

### 仿生机械横臂 Bionic Mechanical Arm

长横臂在开合页上安装调节钮，可直接调节显示器高度，实现无缝拼接组合。

The long cross arm installs the adjusting button on the open hinge, which can directly adjust the height of the display to achieve seamless splicing and combination.

## 产品特点 Product Features



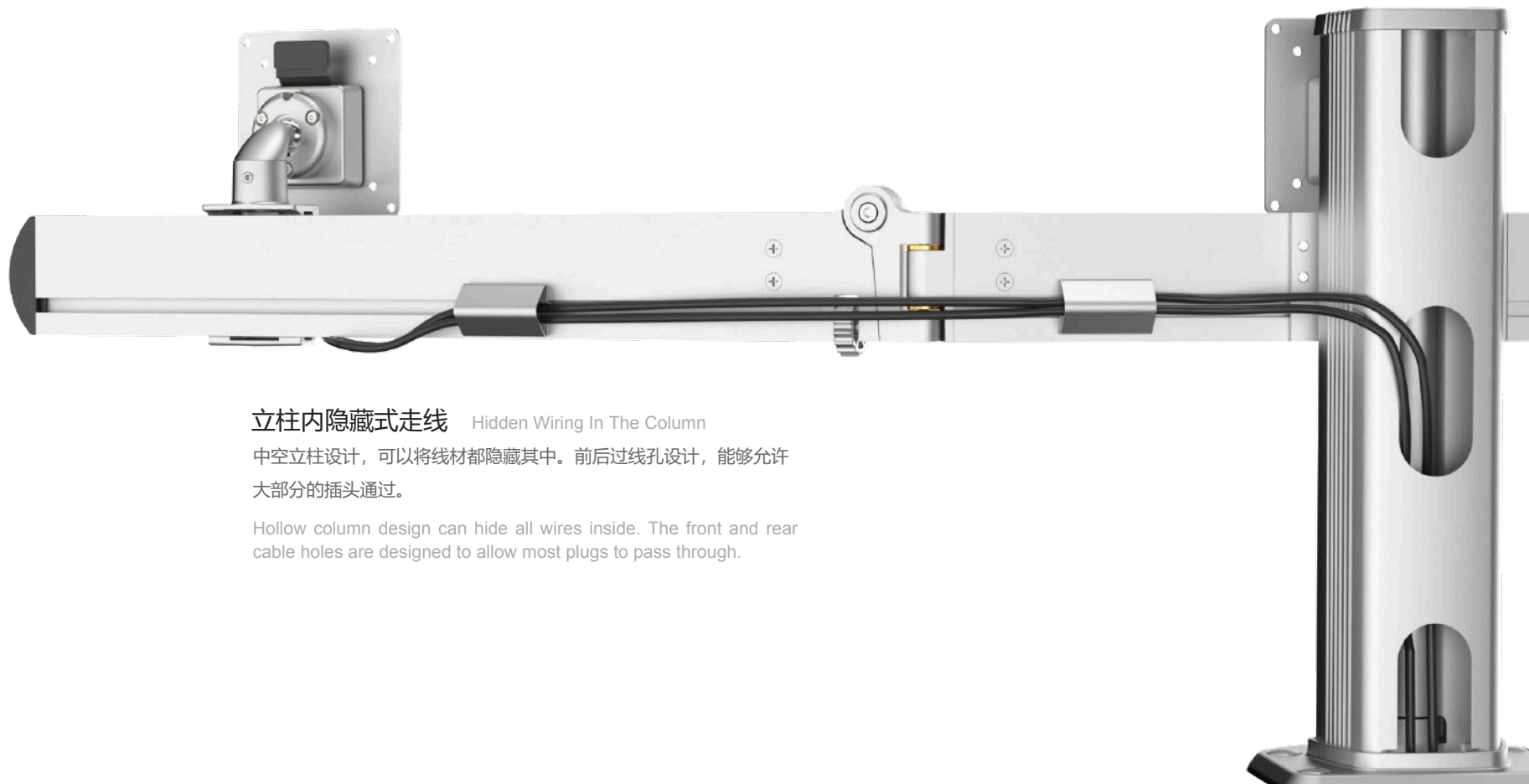
### 万向金属球头 Universal Metal Ball Head

插板一体的插头式安装顶部调节孔设计，不弯腰即可轻松调节

Insert board integrated plug type installation top adjustment hole design, can be easily adjusted without bending.



## 产品特点 Product Features



### 立柱内隐藏式走线 Hidden Wiring In The Column

中空立柱设计，可以将线材都隐藏其中。前后过线孔设计，能够允许大部分的插头通过。

Hollow column design can hide all wires inside. The front and rear cable holes are designed to allow most plugs to pass through.

# 规格信息 Specification Information

## 产品参数 Specifications

 显示器尺寸 LCD size	≤49"	 俯仰角度 Tilt	+20°~-15°
 承重范围 Wt.Capacity	≤24kg (曲面屏≤15kg)	 升降 Lifting height	260mm
 旋转角度 Pivot	360°	 VESA	75×75 100×100
 左右摆动 Swivel	±25°	 底盘尺寸 Chassis size	356x370mm

## 安装方式 Installation method



桌置  
Stands



夹持  
Desk Clamp



穿孔  
Grommet Mount

## 产品配色 Colors

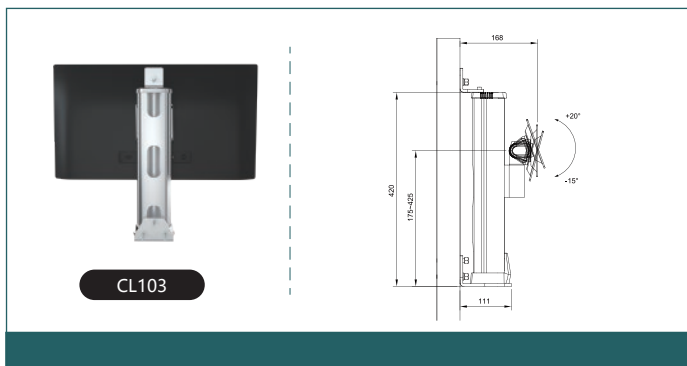
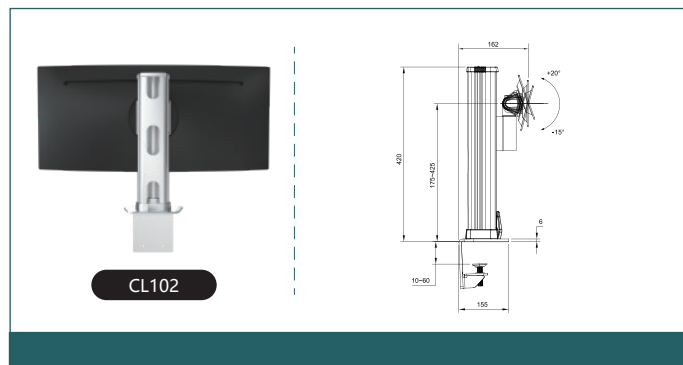
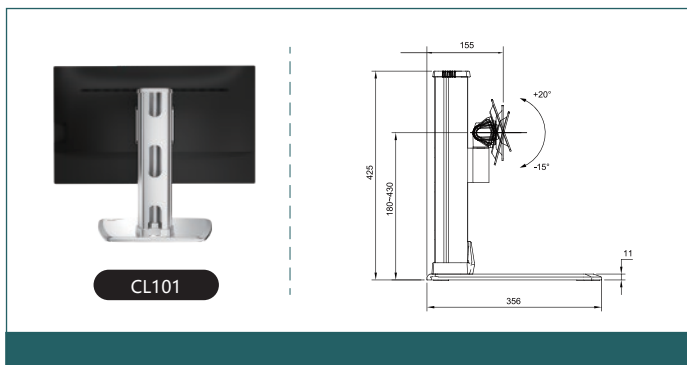


● 银色  
Silver

# 产品线延伸 Product Line Extension

## 单屏系列

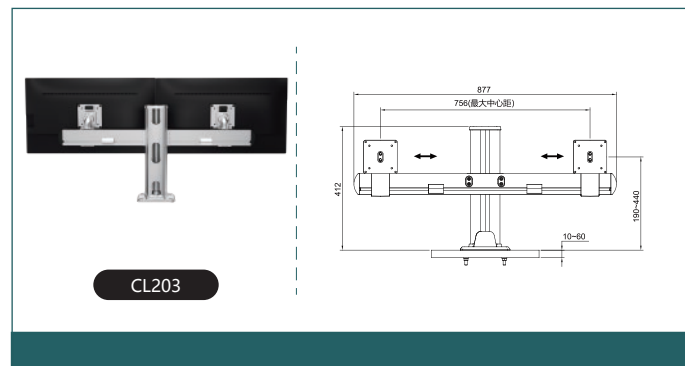
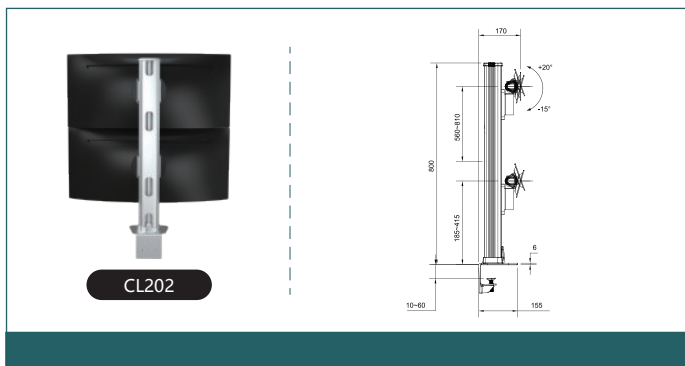
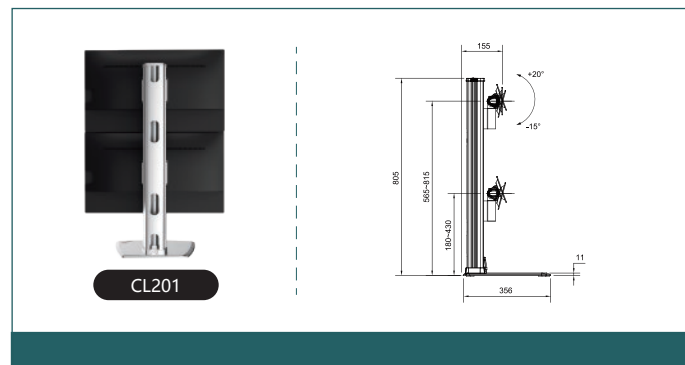
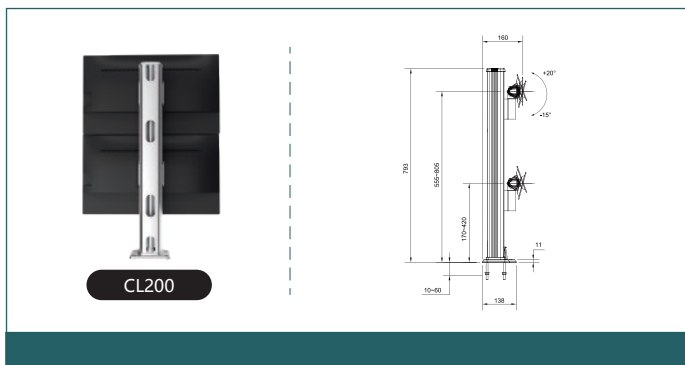
## Single Series



# 产品线延伸 Product Line Extension

## 双屏系列

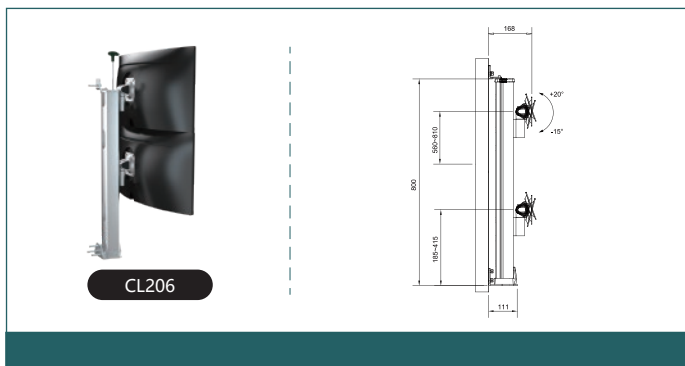
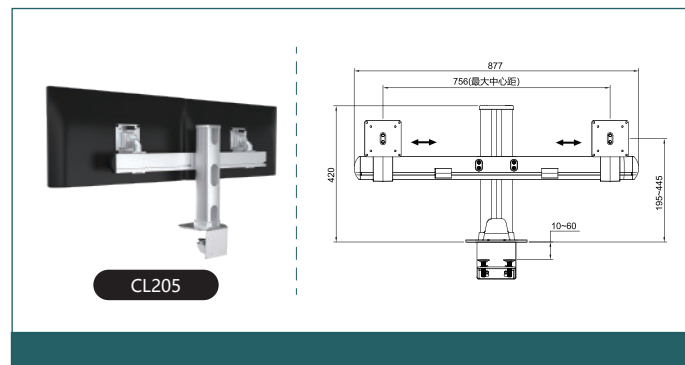
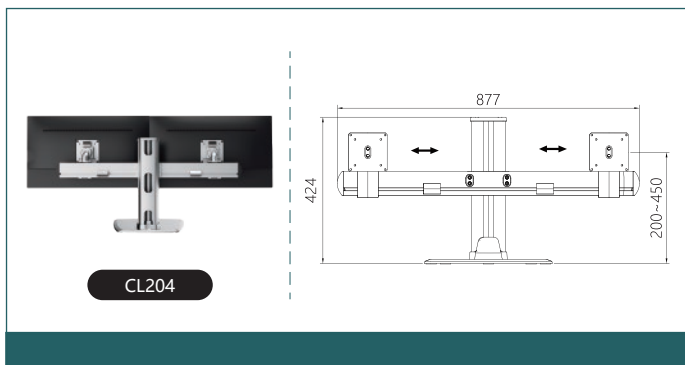
## Dual Series



# 产品线延伸 Product Line Extension

## 双屏系列

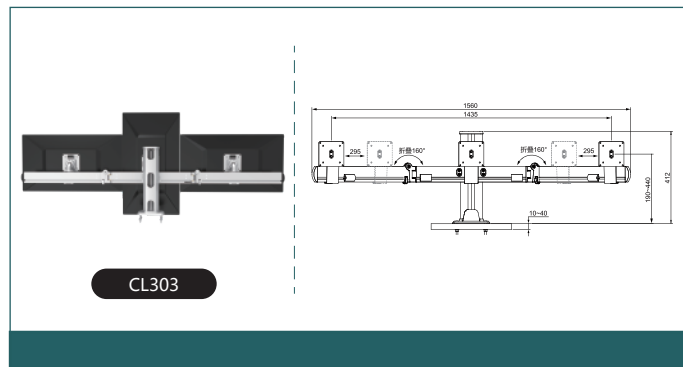
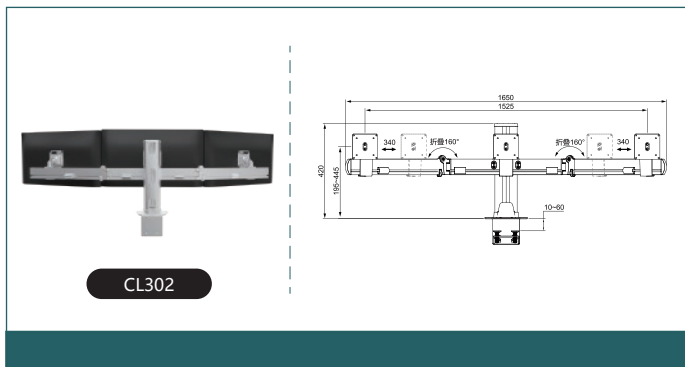
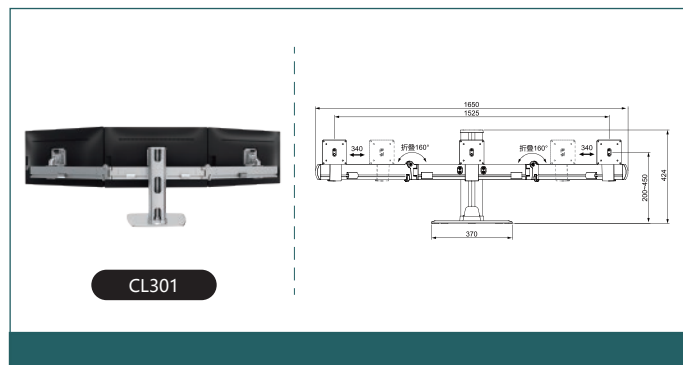
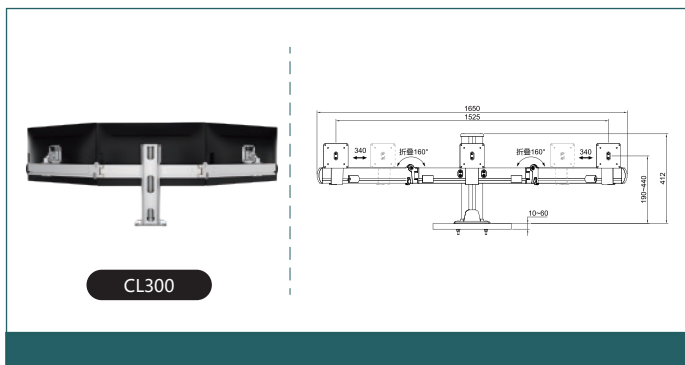
## Dual Series



# 产品线延伸 Product Line Extension

## 三屏系列

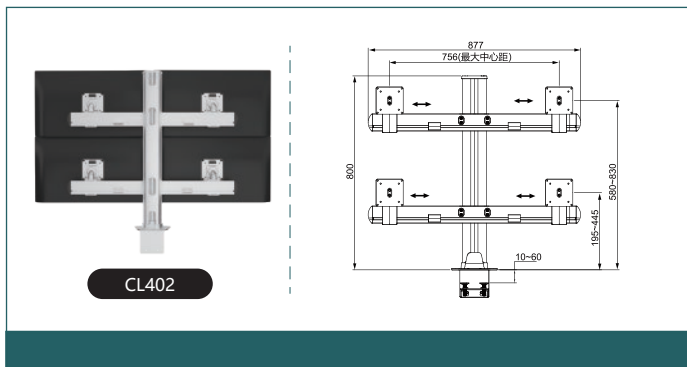
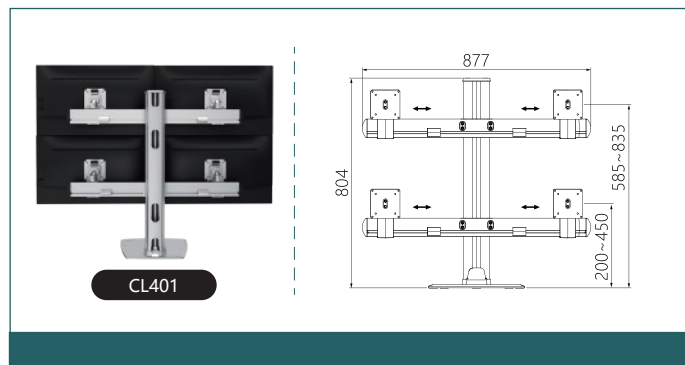
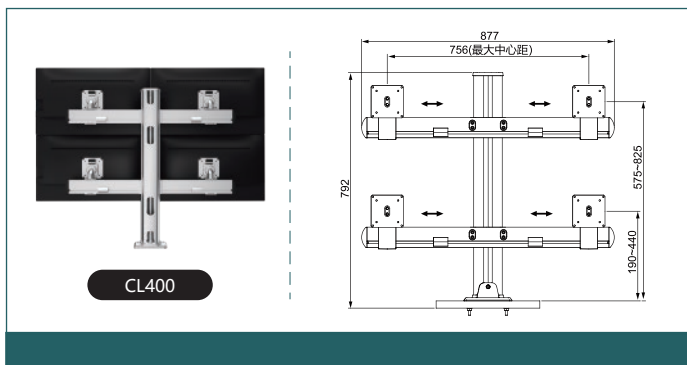
## Triple Series



# 产品线延伸 Product Line Extension

## 四屏系列

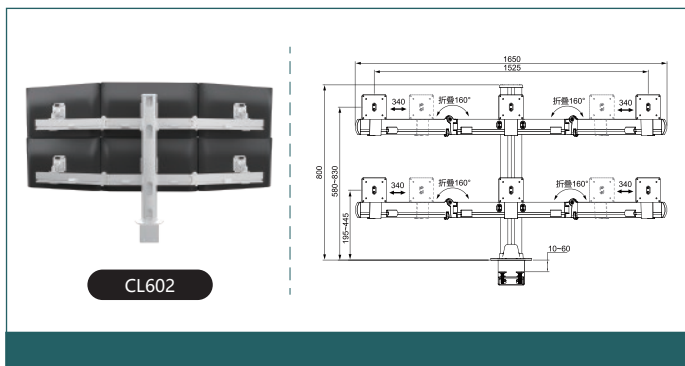
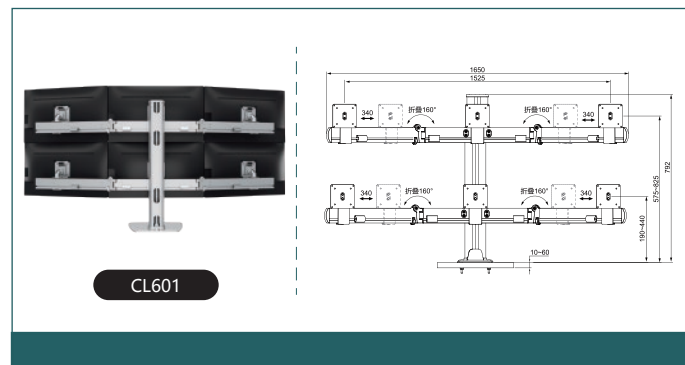
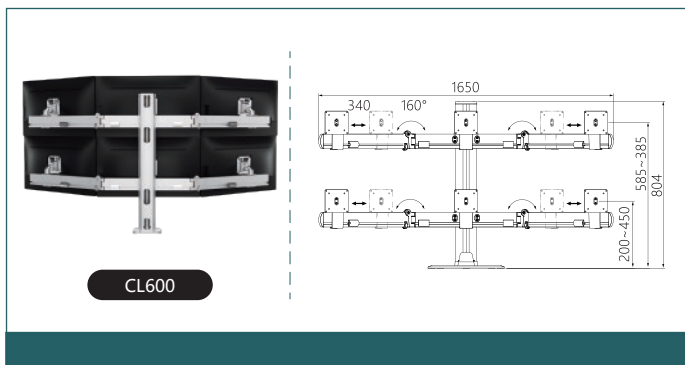
## Quadruple Series



# 产品线延伸 Product Line Extension

多屏系列

Multi Series







# | BL 系列

## 产品简介 Product Introduction

采用优质钣金材料，搭配烤漆工艺。简洁的外观及多种不同的安装方式，使 BL 系列可以适应多种场景。多屏设计搭配易用的内走线方案，进一步保证了桌面的整洁度。

Crafted with high-quality sheet metal material and a baking paint finish, the BL Series boasts a sleek appearance and versatile installation options, allowing it to adapt to diverse scenarios. The multi-screen design, paired with an easy-to-use internal cable management solution, further ensures a tidy desktop.



## 产品特点 Product Features

### SPCC冷轧钢+烤漆工艺 Spcc Cold Rolled Steel + Paint Process

整体钣金材质，采用优质五金件，保证每一个部件都经久耐用

The overall sheet metal material, the use of high-quality hardware, to ensure that each component is durable.

## 产品特点 Product Features



### VESA快装结构 Quick Release VESA

显示器万向接头，采用坚固塑料件设计，可自由调节显示器的间距

Display universal joint, with strong plastic design, can freely adjust the spacing of the display.

## 产品特点 Product Features



### 铝合金滑轨 Aluminium Alloy Slide Rail

铝合金型材滑轨，轻松调节显示器的左右位置，配合下方的紧固螺丝，可保持显示器固定不偏移。

Aluminum alloy profile slide rail, easy to adjust the left and right position of the monitor, with the fastening screws below, can keep the monitor fixed without displacement.

## 产品特点 Product Features



### 立柱内隐藏式走线 Hidden Wiring In The Column

中空立柱设计，可以将线材都隐藏其中。前后过线孔设计，能够允许大部分的插头通过。

Hollow column design can hide all wires inside. The front and rear cable holes are designed to allow most plugs to pass through.

## 规格信息 Specification Information

### 产品参数 Specifications

 显示器尺寸 LCD size	≤34"	 俯仰角度 Tilt	±25°
 承重范围 Wt.Capacity	≤8kg	 升降 Lifting height	110mm
 旋转角度 Pivot	±90°	 VESA	75×75 100×100
 左右摆动 Swivel	±25°	 底盘尺寸 Chassis size	355x355mm

### 安装方式 Installation method



桌置  
Stands



穿孔  
Grommet Mount

### 产品配色 Colors

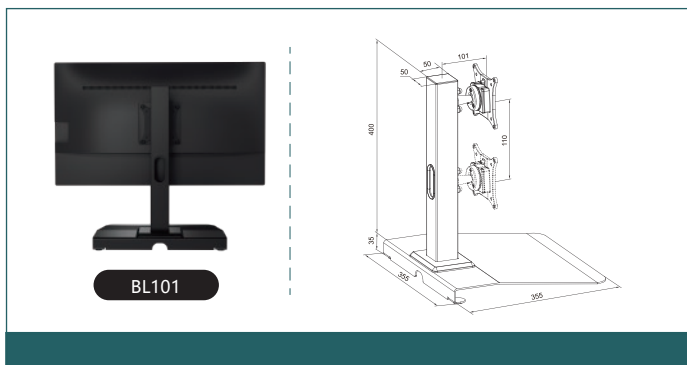


- 黑色  
Black

## 产品线延伸 Product Line Extension

单屏系列

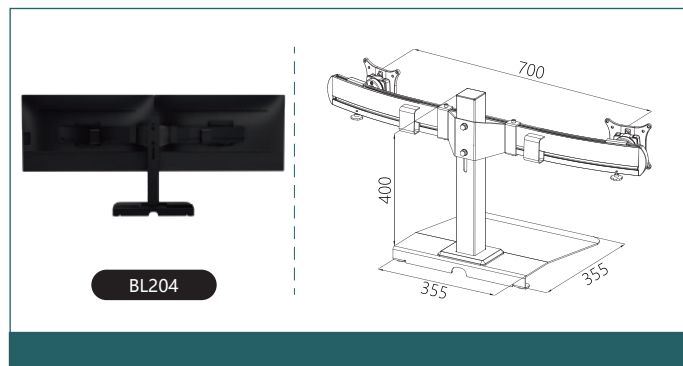
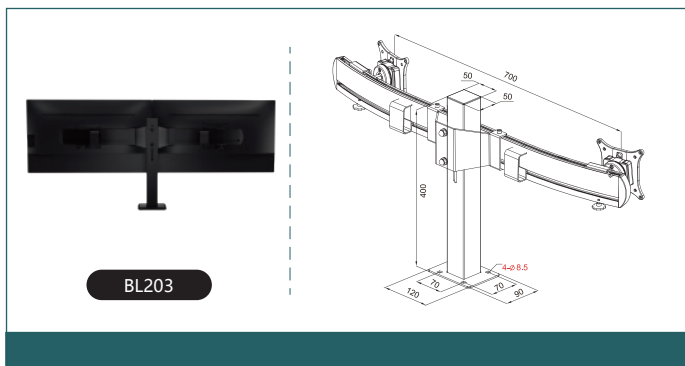
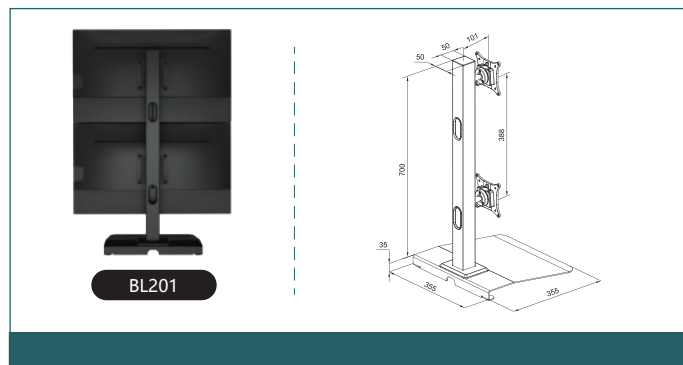
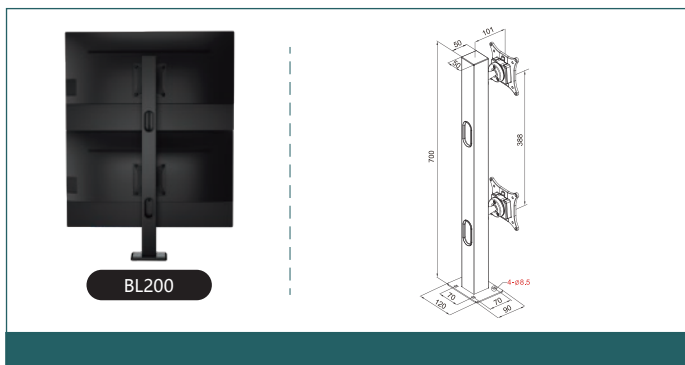
Single Series



# 产品线延伸 Product Line Extension

## 双屏系列

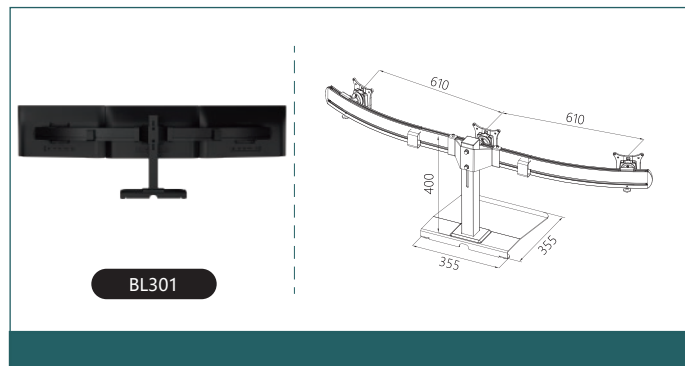
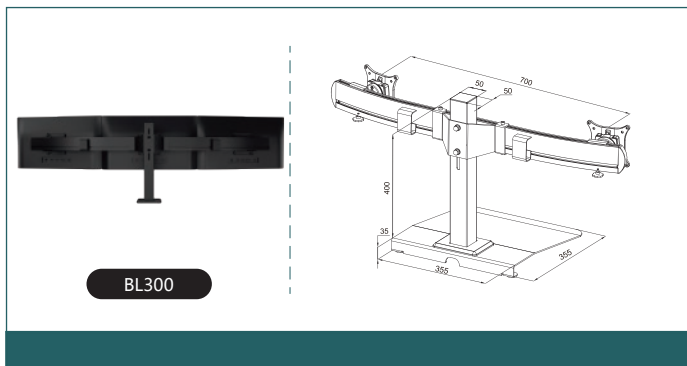
## Dual Series



# 产品线延伸 Product Line Extension

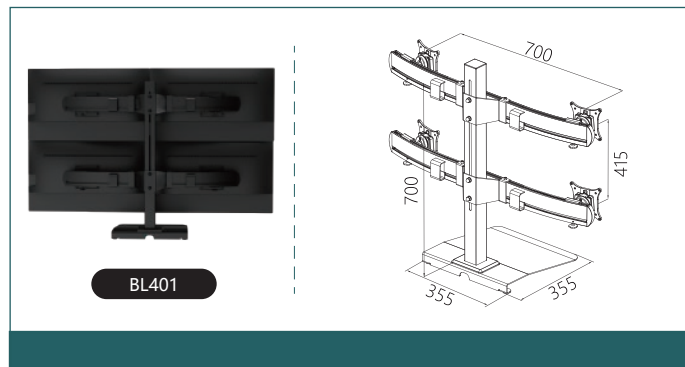
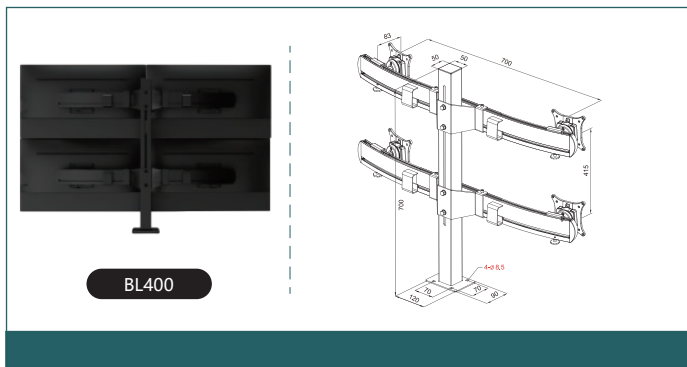
## 三屏系列

### Triple Series



## 四屏系列

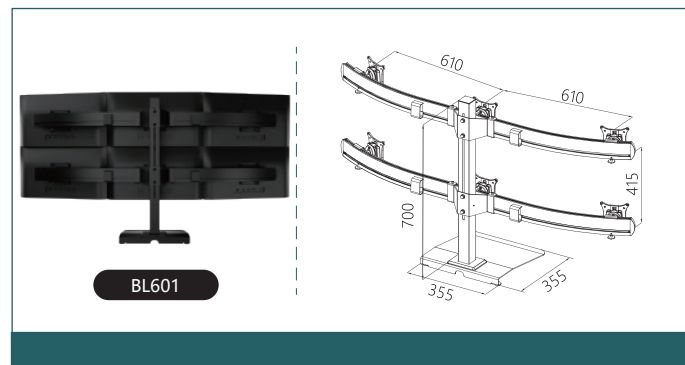
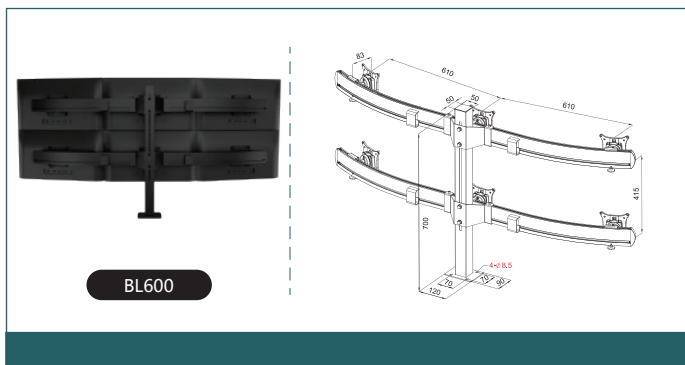
### Quadruple Series



# 产品线延伸 Product Line Extension

多屏系列

Multi Series









400-600-5155  
上海新慧想科技有限公司

SHANGHAI NEW THINKWISE TECHNOLOGY CO., LTD