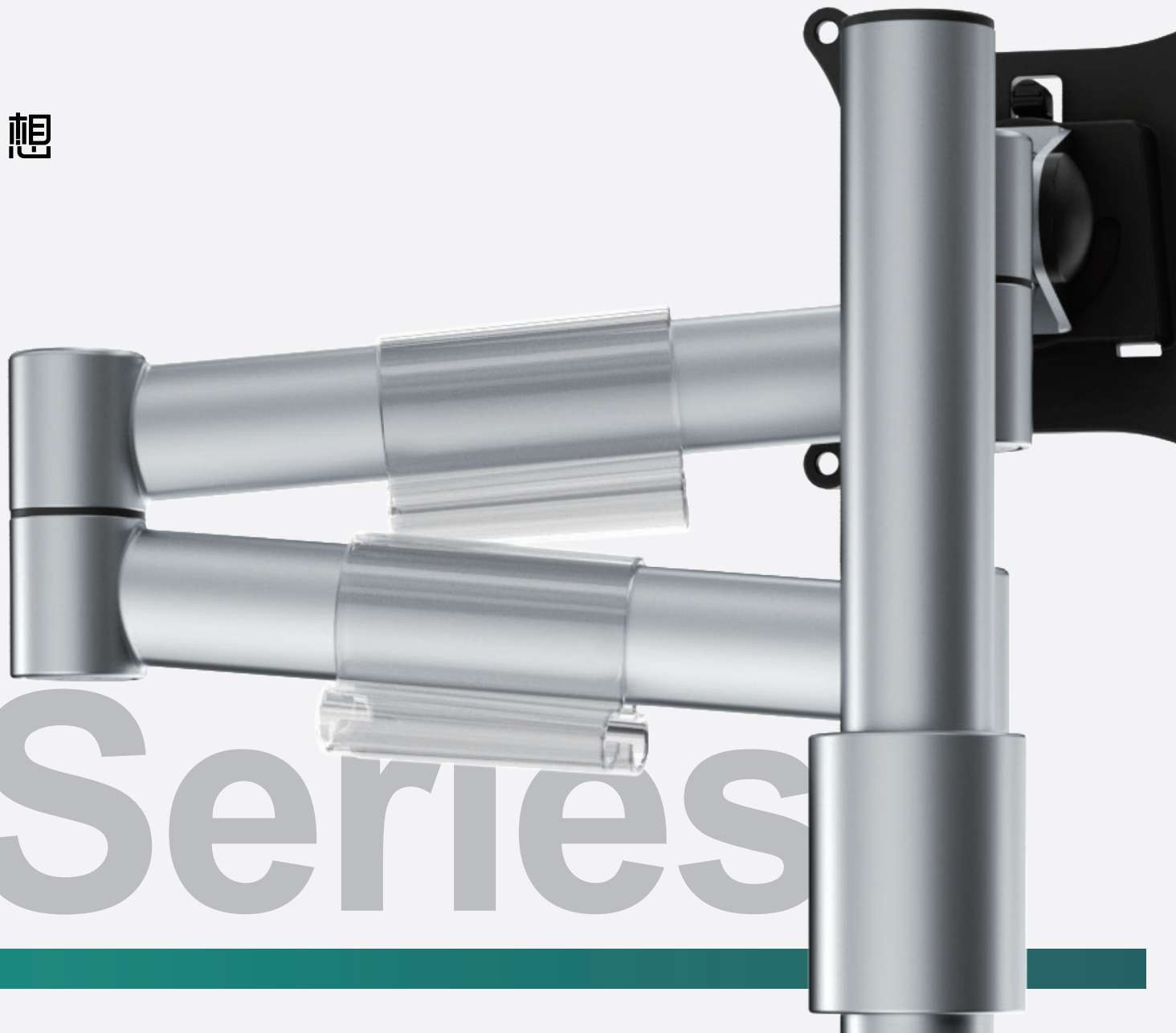


hexergo® 慧想

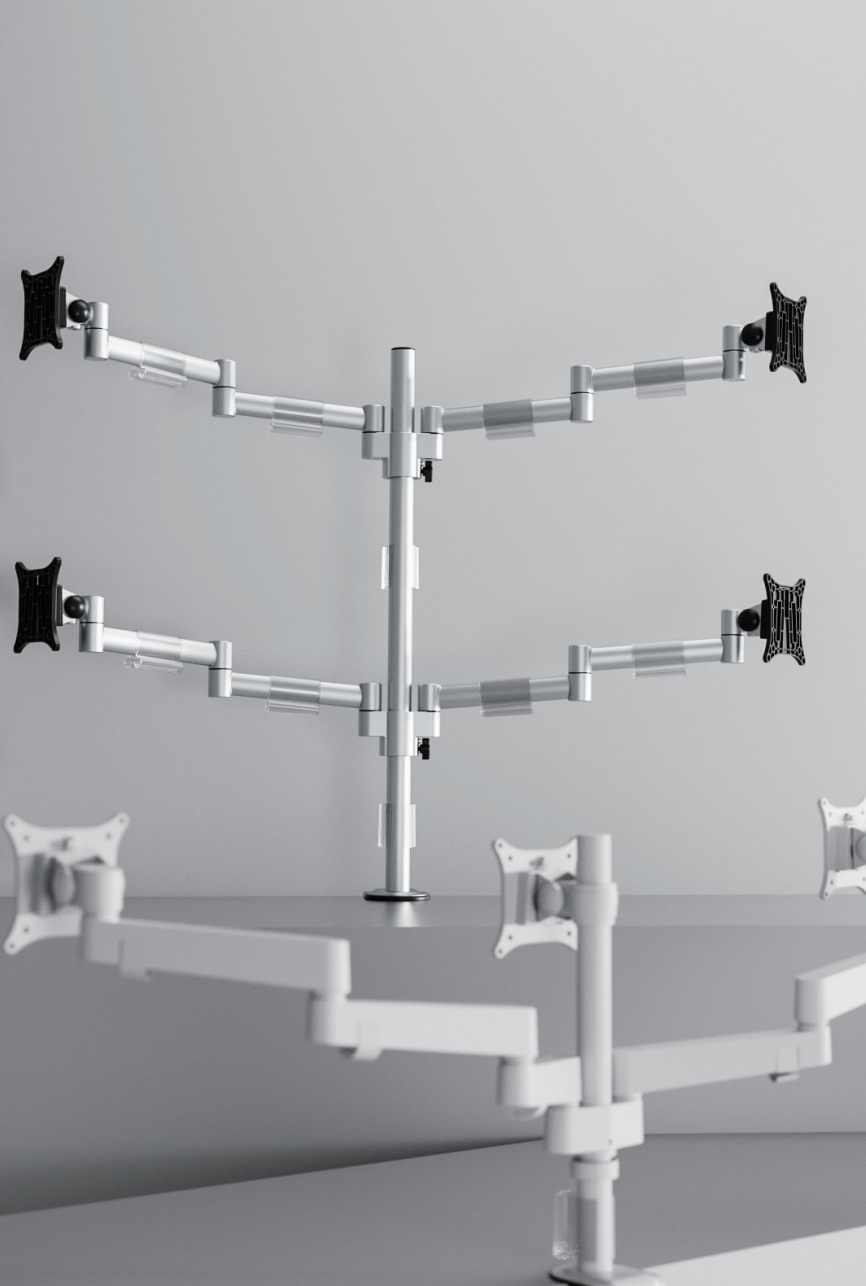


M Series



MOVE TO CREATE

创 随 心 动



| M 系列

| CM 系列

I M 系列

产品简介 Product Introduction

主体采用铝合金压铸的简洁外观设计，模块化的零件设计思路，可以根据需求，灵活调节组合形式，以应对不同使用需求。

The main body adopts a simple appearance design with aluminum alloy die-casting. With the design concept of modular parts, it can be flexibly adjusted in terms of combination forms according to different needs, so as to meet various usage requirements.



产品特点 Product Features



铝合金一体压铸 Aluminum Alloy Monolithic Die Casting

整体铝合金材质，采用优质五金件，搭配喷粉工艺，抗岁月氧化。

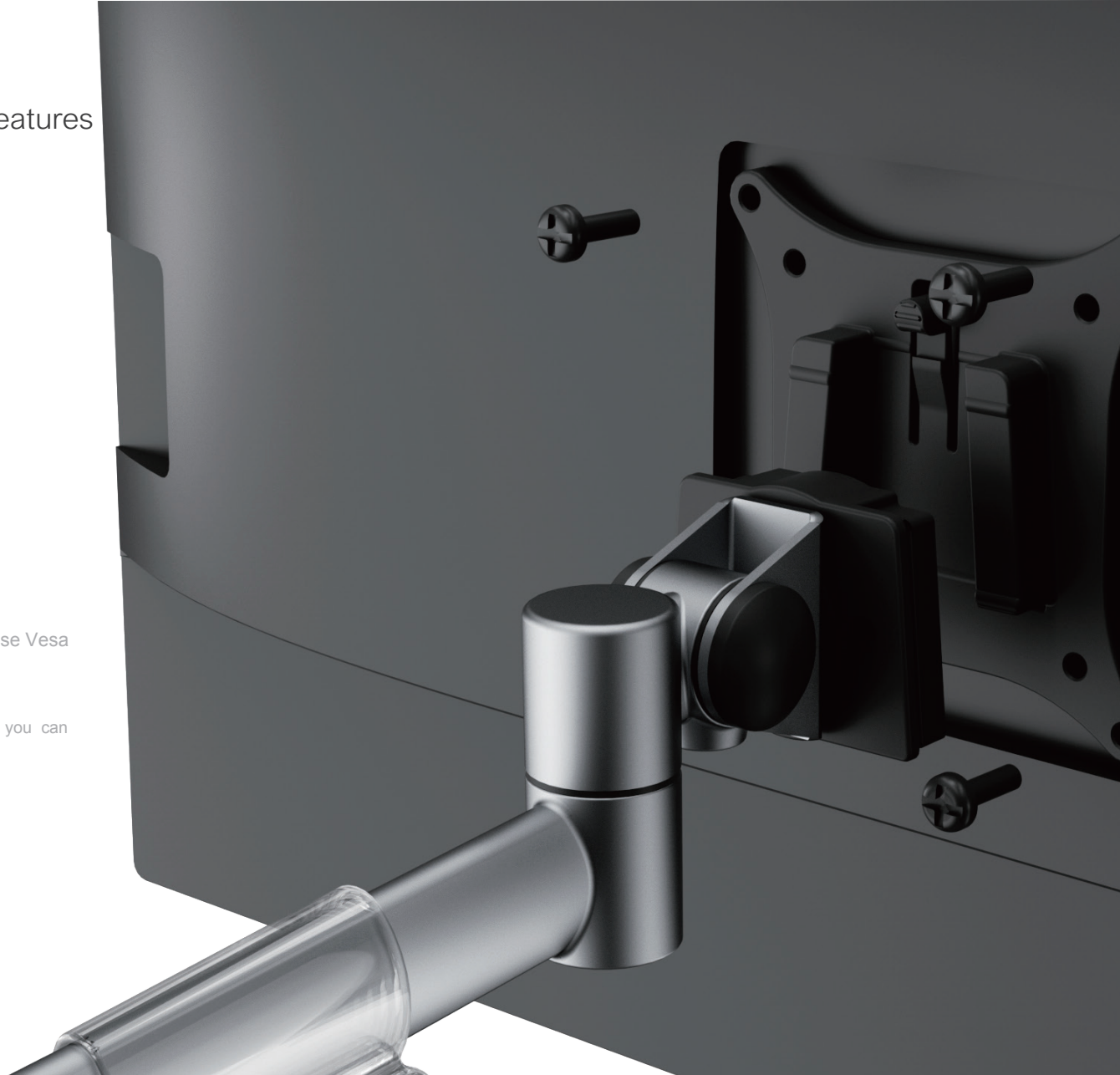
It is made of integral aluminum alloy material, equipped with high-quality hardware components, and combined with the powder coating process, which can resist oxidation over time.

产品特点 Product Features

VESA快装结构 Quick Release Vesa

一滑一扣，轻松拆装显示器。

With just one single slide and click, you can easily install and uninstall the monitor.



产品特点 Product Features



三轴联动随心调 Three-Axis Linkage Adjustable

人体工学设计，三轴联动随心调，上下、前后、左右旋转随心调节。

Ergonomic design, three-axis linkage adjustable, up and down, front and back, left and right rotation adjustable.

产品特点 Product Features



分段式线材管理 Segmented Cable Management

分段式管理，可有效的将线材隐藏于无形。无论显示器如何移动，始终保持线材井然有序。

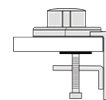
Segmented cable management effectively conceals cables out of sight. No matter how the monitor is moved, the cables always remain neatly organized.

规格信息 Specification Information

产品参数 Specifications

 显示器尺寸 LCD size	≤ 34"	 俯仰角度 Tilt	+85~-60°
 承重范围 Wt.Capacity	≤8kg	 升降 Lifting height	400mm
 旋转角度 Pivot	±90°	 VESA	75×75 100×100
 左右摆动 Swivel	±90°	 穿夹桌面厚度 Desk Thickness	穿孔：10-50mm 夹具：15-50mm

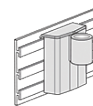
安装方式 Installation method



夹持
Desk Clamp



穿孔
Grommet Mount



屏风
Slatwall Mount

产品配色 Colors

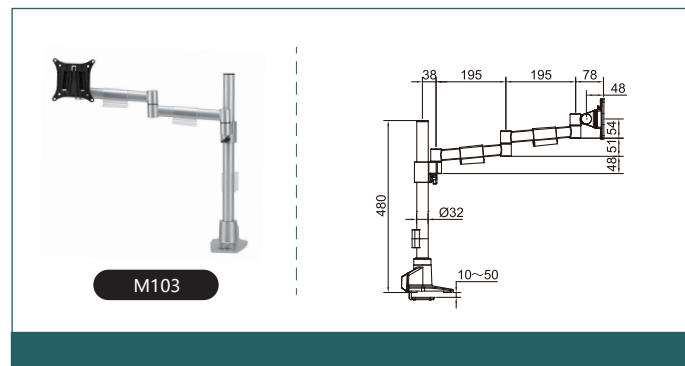
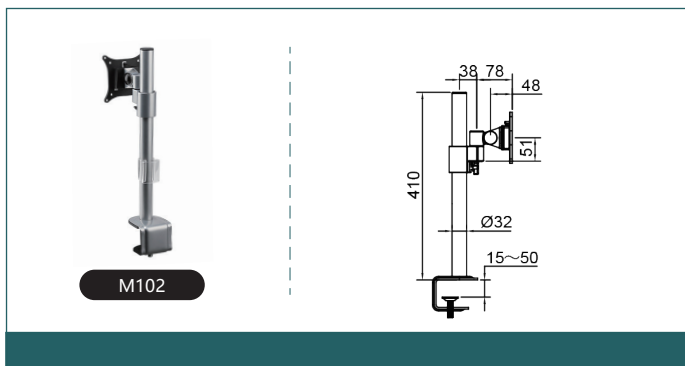
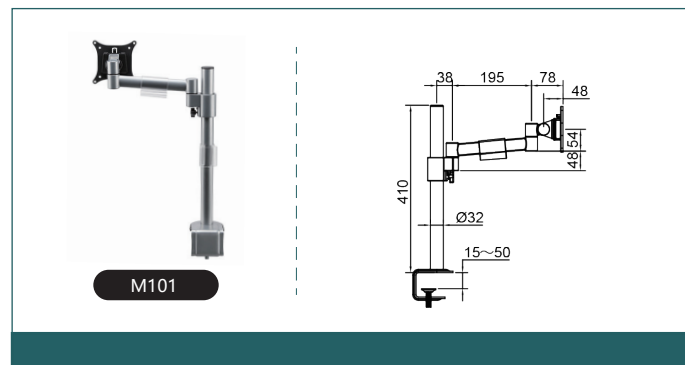
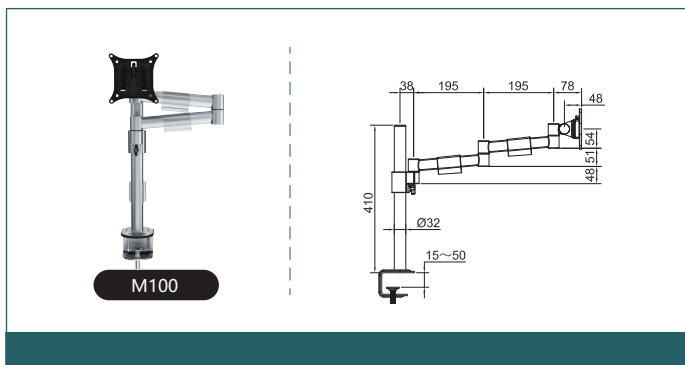


- 银色
Silver

产品线延伸 Product Line Extension

单屏系列

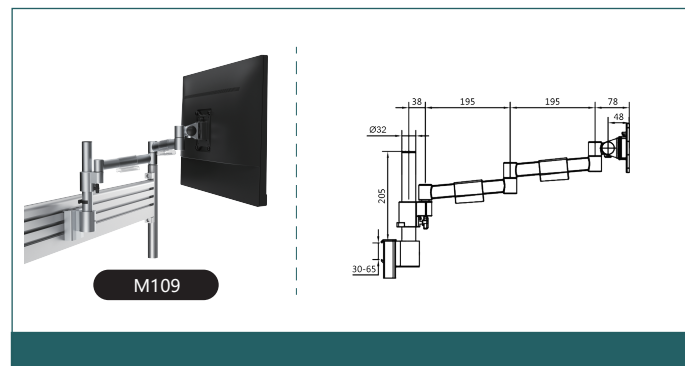
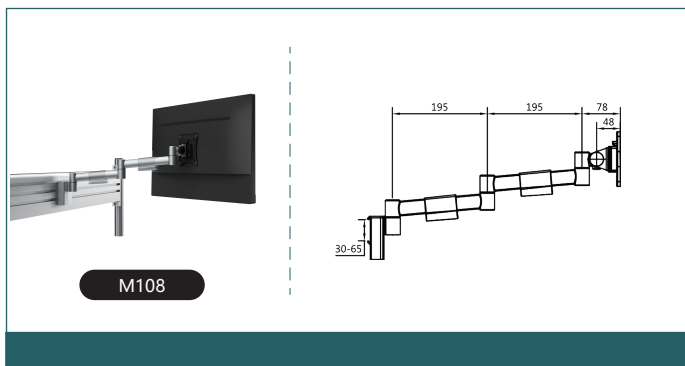
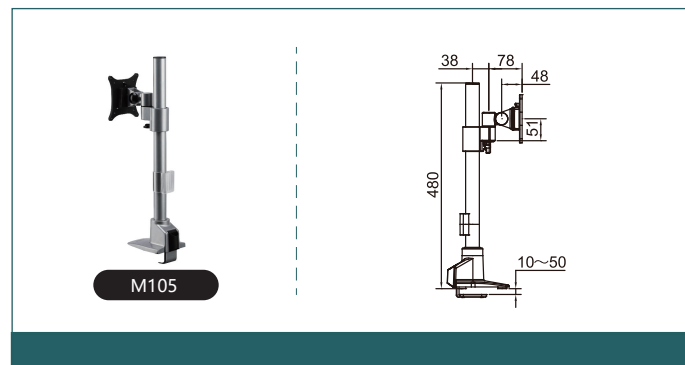
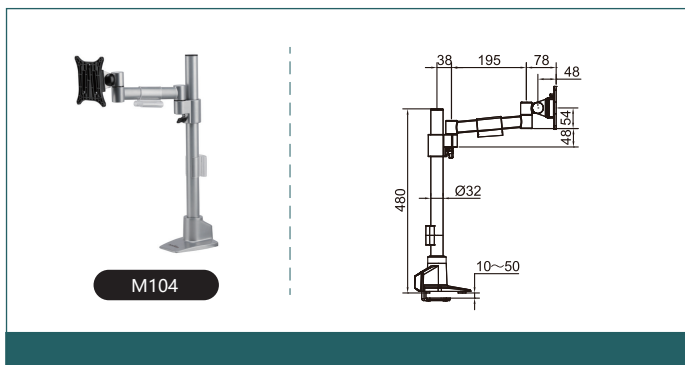
Single series



产品线延伸 Product Line Extension

单屏系列

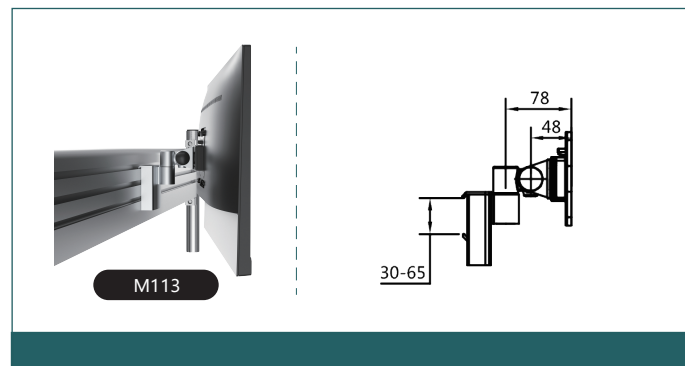
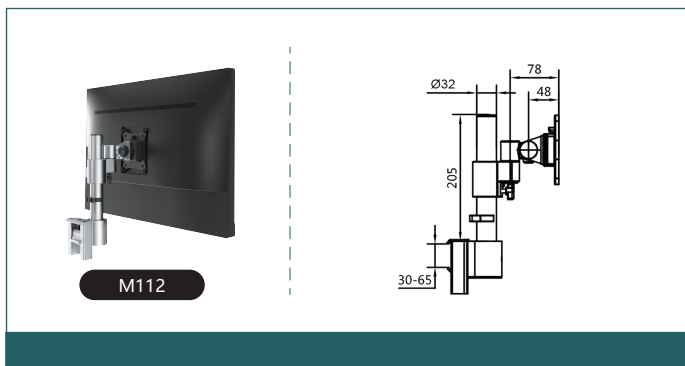
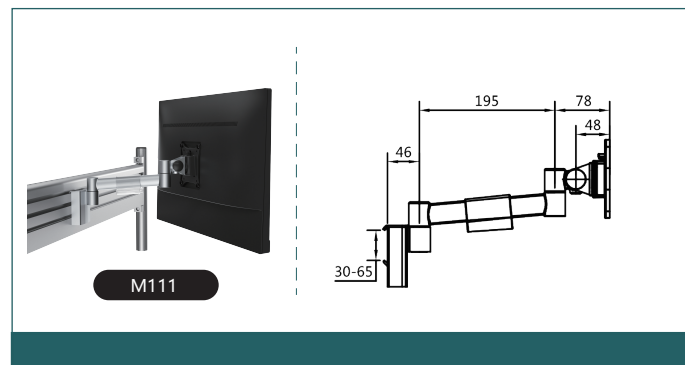
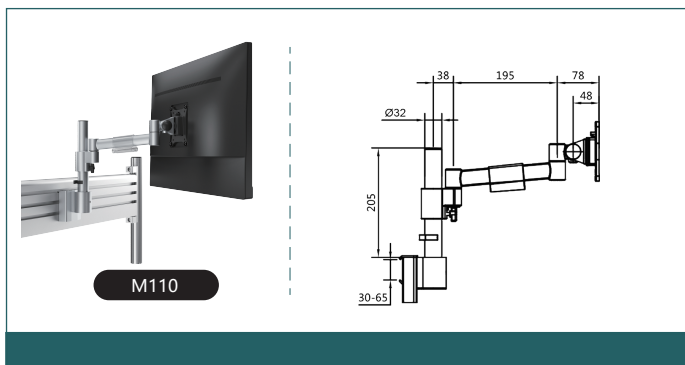
Single series



产品线延伸 Product Line Extension

单屏系列

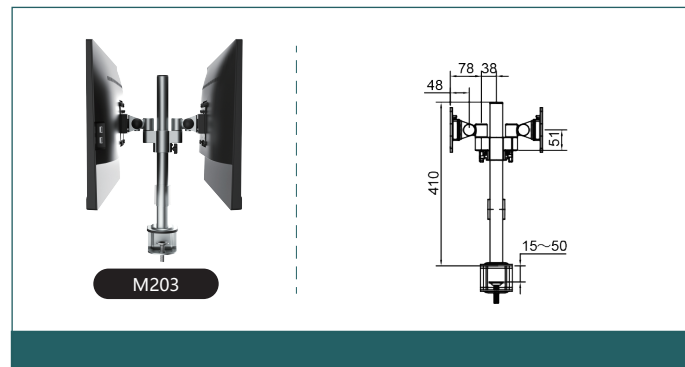
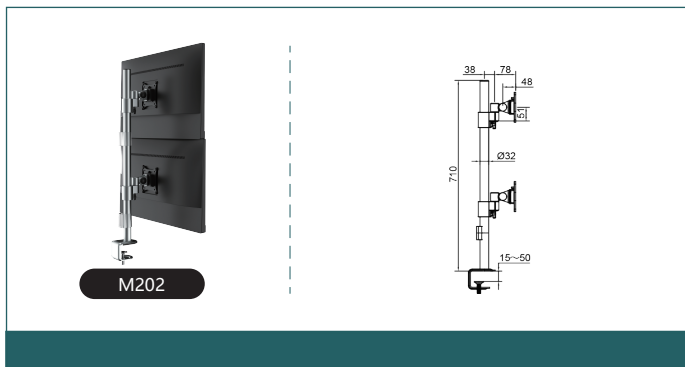
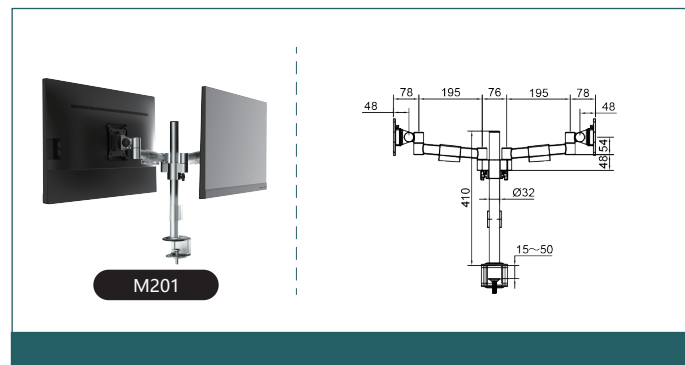
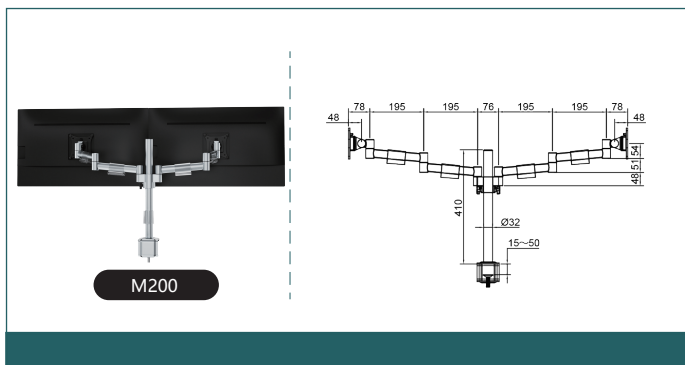
Single series



产品线延伸 Product Line Extension

双屏系列

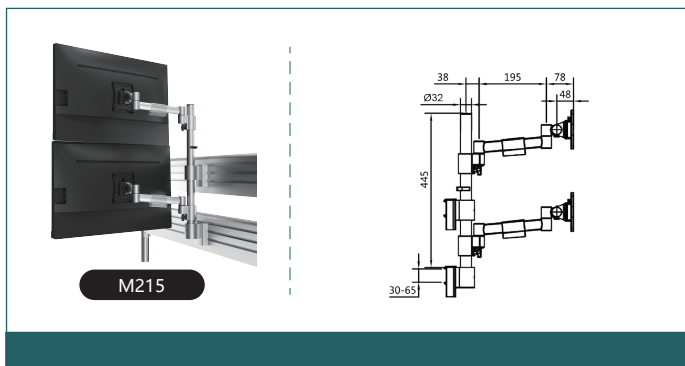
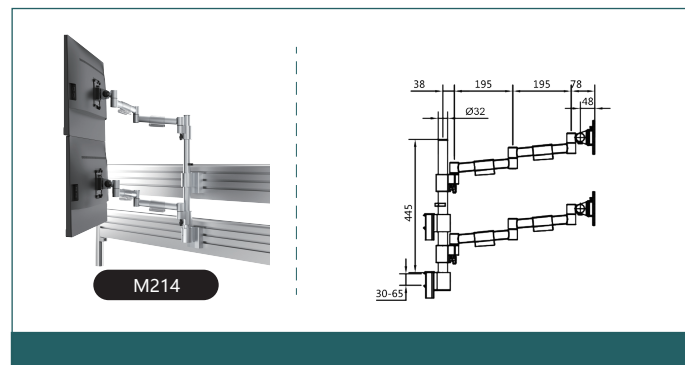
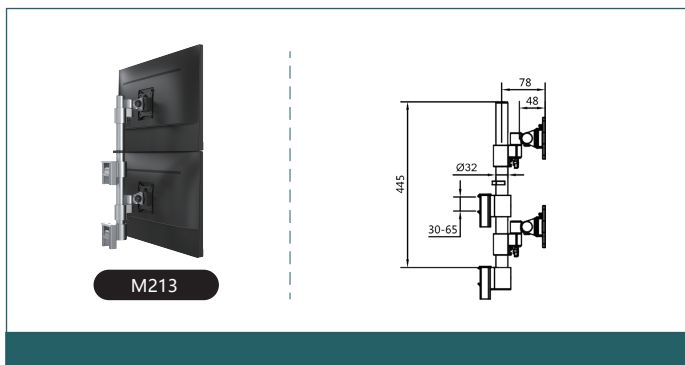
Dual series



产品线延伸 Product Line Extension

双屏系列

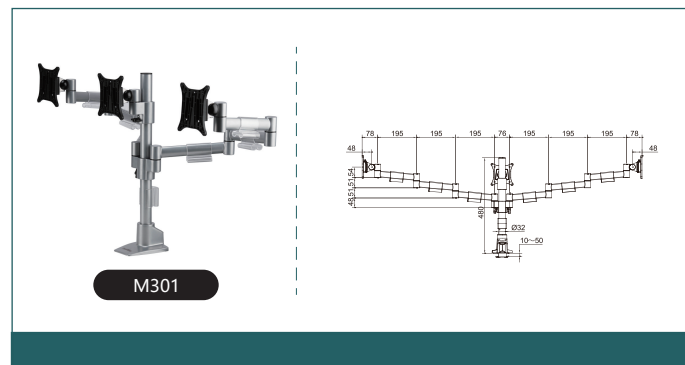
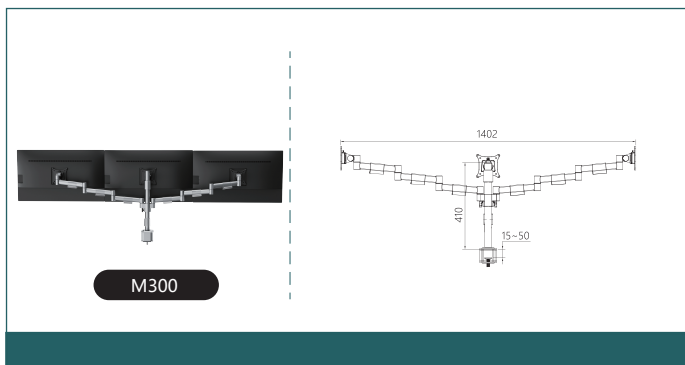
Dual series



产品线延伸 Product Line Extension

三屏系列

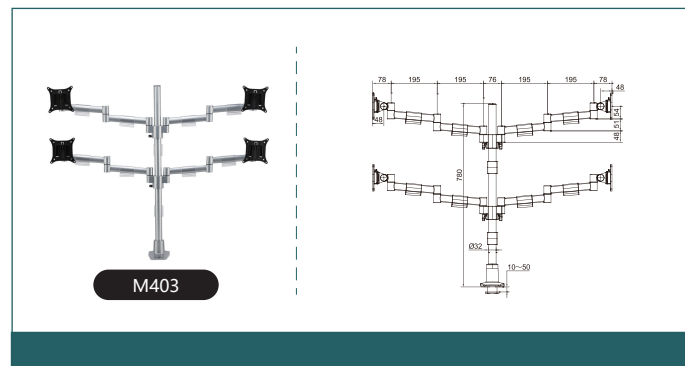
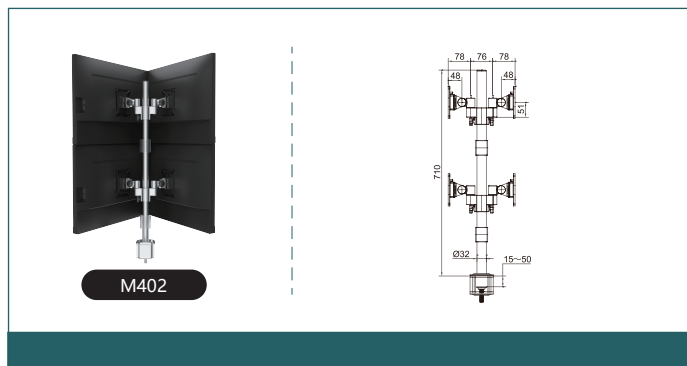
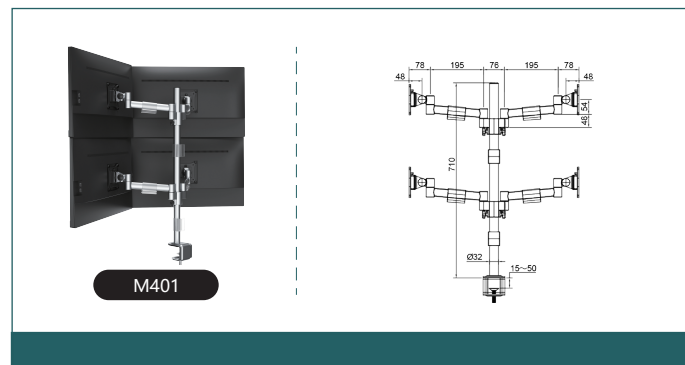
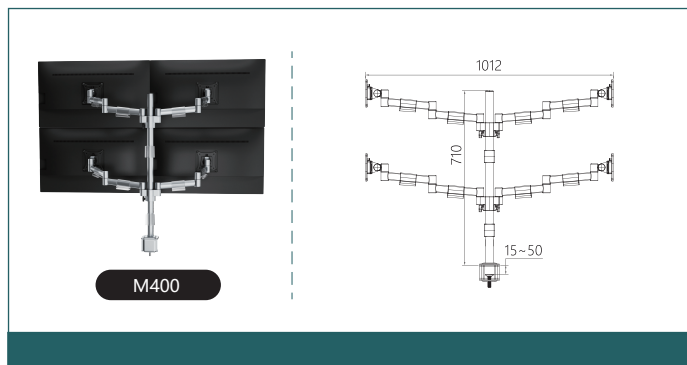
Triple series



产品线延伸 Product Line Extension

四屏系列

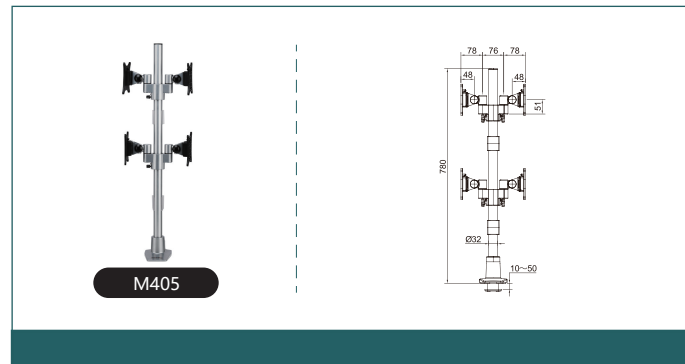
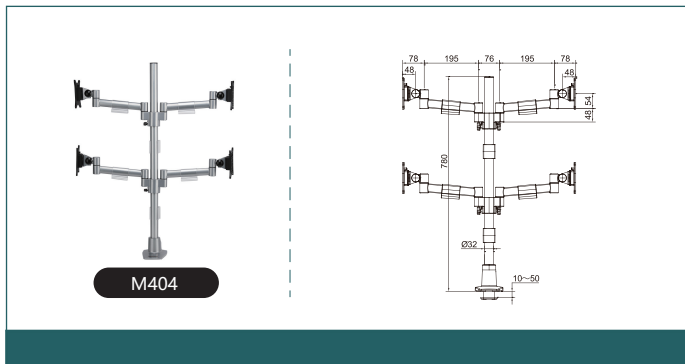
Quadruple series



产品线延伸 Product Line Extension

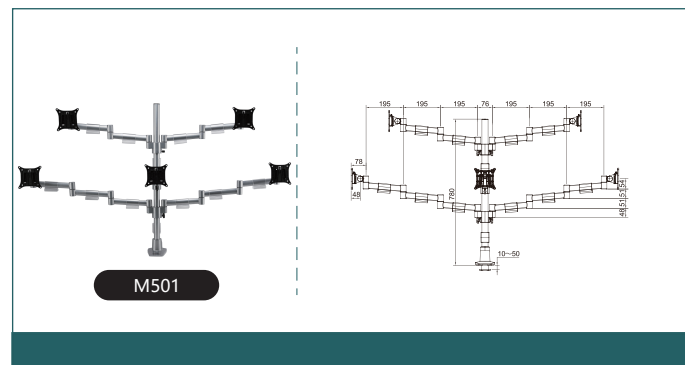
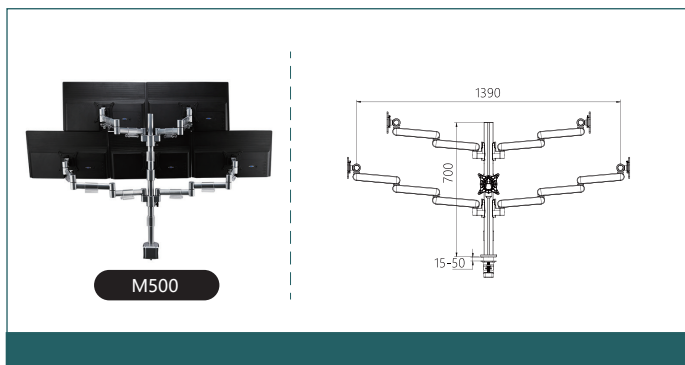
四屏系列

Quadruple series



多屏系列

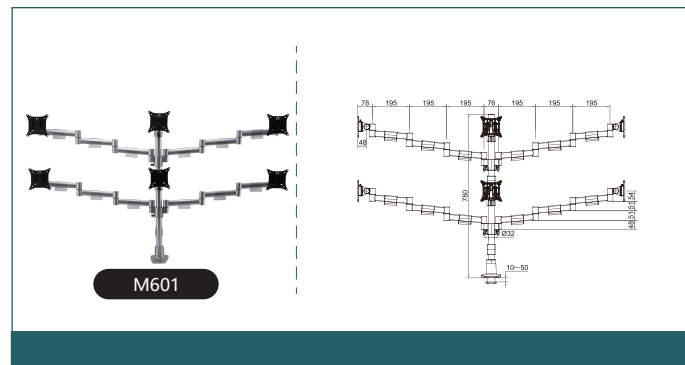
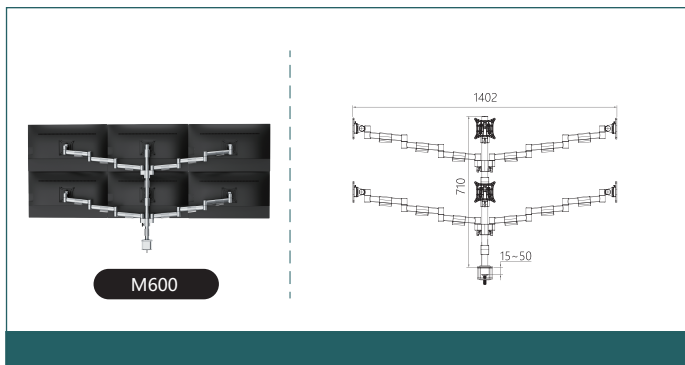
Multi series



产品线延伸 Product Line Extension

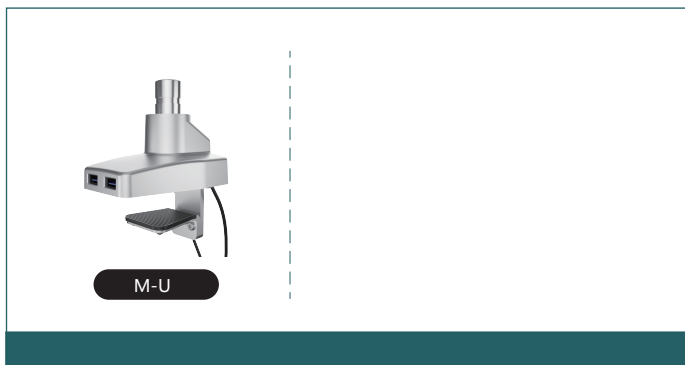
多屏系列

Multi series



USB底座

USB dock







| CM系列

产品简介 Product Introduction

支臂采用轻量化设计,大范围使用玻璃纤维增强尼龙。在强度与耐用性保持不变的情况下,减少了可见的产品自重。VESA快装式结构,让显示器安装更为便捷高效。

The support arm adopts a lightweight design, and glass fiber reinforced nylon is widely used. Without compromising on strength and durability, the visible self-weight of the product has been reduced. The VESA quick-release structure makes the installation of the monitor more convenient and efficient.



产品特点 Product Features



VESA快装结构 Quick Release Vesa

一滑一扣，轻松拆装显示器。

With just one single slide and click, you can easily install and uninstall the monitor.

产品特点 Product Features

通用柱设计 Universal Column Design

单屏/双屏/三屏显示器支架采用通用柱式设计，更便于后期升级扩展

The single, dual and triple-screen monitor arm adopts a universal column design, which is freer for later upgrades and expansions.

产品特点 Product Features

军用级尼龙材料 Military-Grade Nylon Material

采用军用级玻璃纤维增强尼龙环保材料，整体更轻，同时保证耐用性和稳定性。

The use of military-grade glass fiber reinforced nylon environmentally friendly material, the overall lighter, while ensuring durability and stability.

产品特点 Product Features



分段式线材管理 Segmented Cable Management

分段式管理，可有效的将线材隐藏于无形。无论显示器如何移动，始终保持线材井然有序。

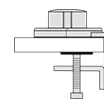
Segmented cable management effectively conceals cables out of sight. No matter how the monitor is moved, the cables always remain neatly organized.

规格信息 Specification Information

产品参数 Specifications

 显示器尺寸 LCD size	≤34"	 俯仰角度 Tilt	+85~-50°
 承重范围 Wt.Capacity	≤9kg	 升降 Lifting height	290mm
 旋转角度 Pivot	±90°	 VESA	75×75 100×100
 左右摆动 Swivel	±90°	 穿夹桌面厚度 Desk Thickness	穿孔：10-50mm 夹具：10-50mm

安装方式 Installation method



夹持
Desk Clamp

产品配色 Colors



○ 白色
White

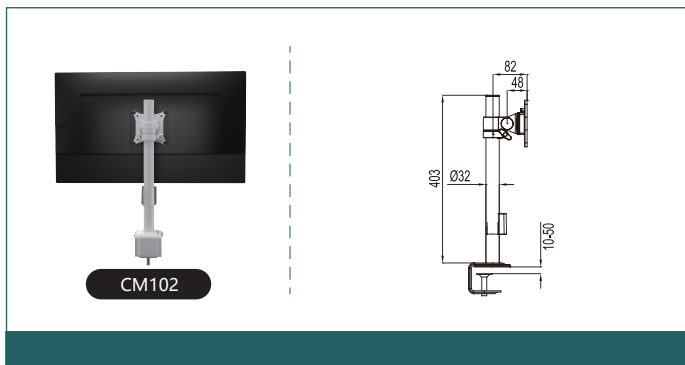
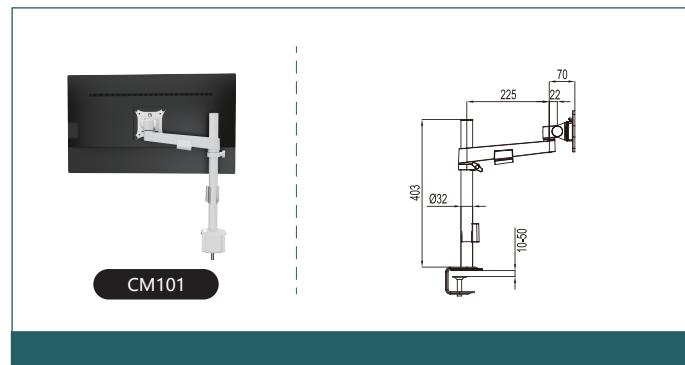
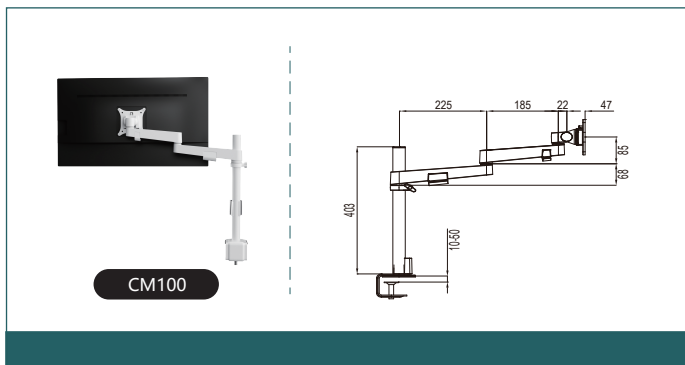


● 黑色
Black

产品线延伸 Product Line Extension

单屏系列

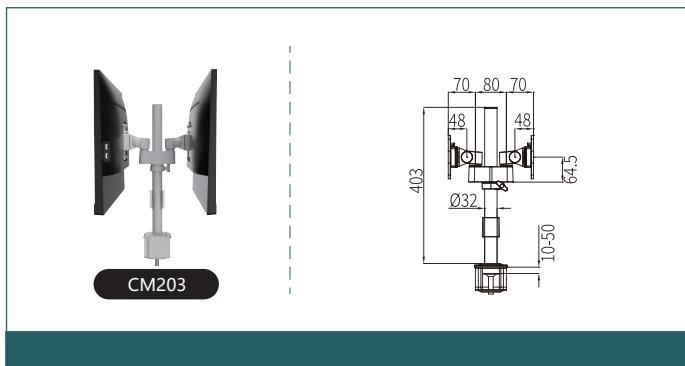
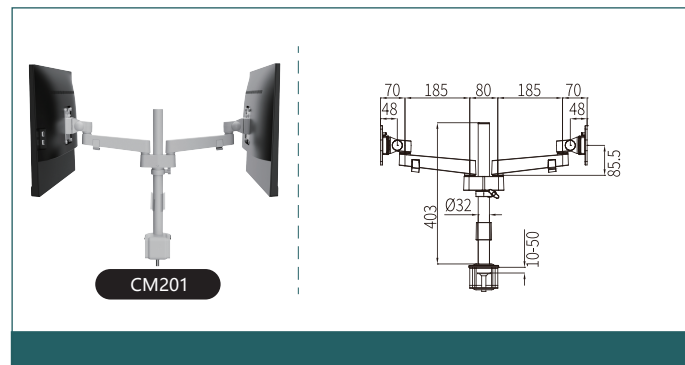
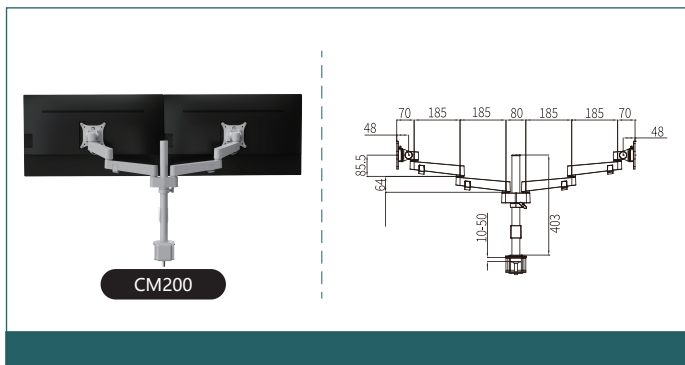
Single series



产品线延伸 Product Line Extension

双屏系列

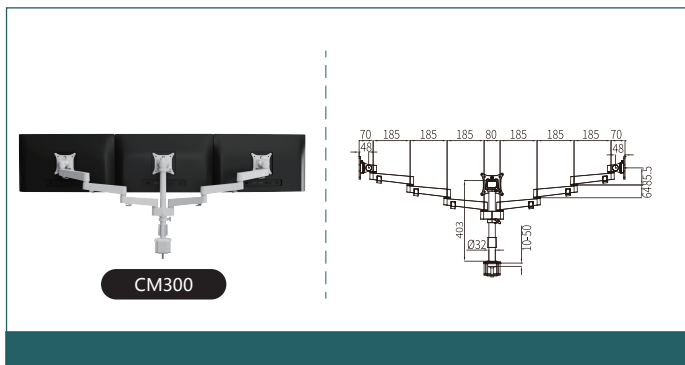
Dual series



产品线延伸 Product Line Extension

三屏系列

Triple series









400-600-5155
上海新慧想科技有限公司

SHANGHAI NEW THINKWISE TECHNOLOGY CO., LTD