

hexergo® 慧想



AE6 Series



MOVE TO CREATE

创 随 心 动

| AE6 系列

产品简介 Product Introduction

AE6 是慧想专为高效办公与轻电竞娱乐所打造的显示器支架。融合高精度扭簧力学系统与人性化快装结构，它不仅能实现单指无级调节、任意角度悬停，更以贯穿式走线、可视化弹簧仓和十秒快挂设计，重新定义桌面秩序与使用体验。

The AE6-100 monitor arm features a mechanical spring system that supports monitors from 17 to 34 inches with a weight capacity of up to 9 kg, delivering smooth and effortless adjustment. Its outstanding industrial design and broad compatibility allow it to integrate seamlessly into virtually any workspace or environment.

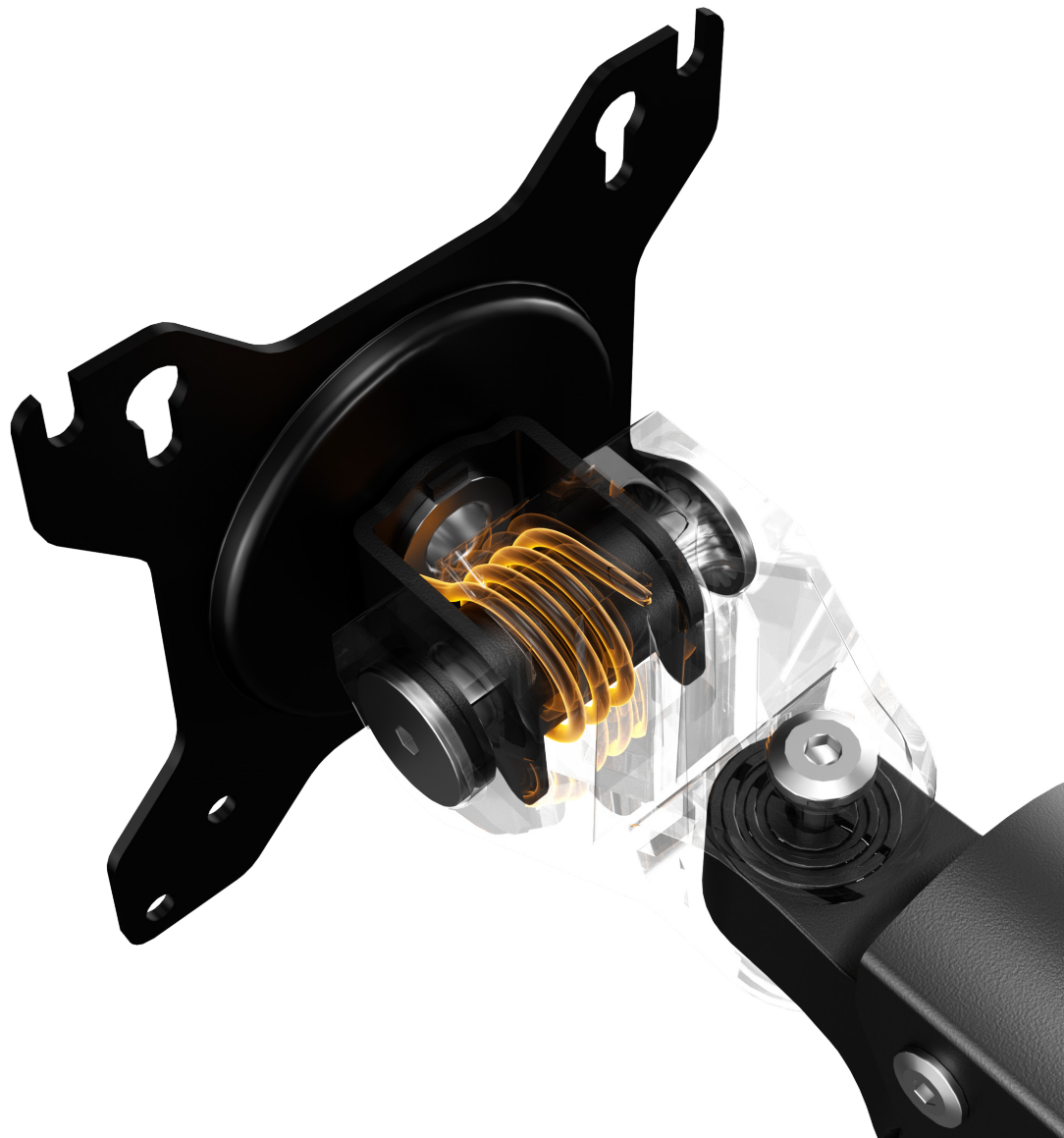


产品特点 Product Features

扭簧自平衡系统 Torsion spring technology

采用高精度扭簧技术，实现显示器上下的无级调节。全程阻力均匀、操作丝滑，松手即稳稳悬停于任意角度，真正做到“指哪停哪”。重力补偿设计提供双倍俯仰支撑，长久使用不沉头，始终如一地保持理想视界。

The monitor can be easily adjusted up and down. Throughout the adjustment process, resistance remains consistent and smooth, with no stiffness or sudden movement. Once released, the monitor stays securely “floating” at the desired position, achieving true gravity compensation. Dual tilt support provides long-term stability and effectively prevents monitor sagging over time.



产品特点 Product Features

弹簧可视窗 Visible Spring Window

创新“内在美”可视化窗口，将隐藏的力学结构坦诚呈现。粗壮弹簧的每一次伸缩，都是对承重能力与工艺品质的无声承诺——让用户亲眼见证，安心托付。

The “Inner Beauty” visible window reveals the mechanics behind the performance, transforming invisible mechanical processes into a visual experience. By allowing users to see the robust and reliable spring in operation, it builds immediate confidence in the product's quality and load-bearing capability.



产品特点 Product Features

机械弹簧结构 Mechanical spring structure

全机械弹簧结构，无需电力或气动辅助，全域支持单指轻松调节。更可在高温、低温、潮湿、真空甚至电磁干扰等严苛环境中稳定运行，高可靠、长寿命，几乎免维护。

Fully mechanical spring structure, no need for electrical or pneumatic assistance, fully supports single finger easy adjustment. It can operate stably in harsh environments such as high temperature, low temperature, humidity, vacuum, and even electromagnetic interference, with high reliability, long lifespan, and almost maintenance free.

产品特点 Product Features

贯穿式走线仓 Through-Arm Cable Management

下支臂采用中空贯穿设计，电源线、HDMI/DP视频线、数据线全部内嵌收纳。无论从哪个角度观看，桌面都清爽整洁，打造极简、现代、专业的办公美学。

The lower arm features a hollow, integrated cable-routing design. Power cables, video cables (such as HDMI or DP), and data cables are neatly concealed inside the arm, eliminating visible cable clutter from any viewing angle. This design creates a clean, professional, and modern appearance.

产品特点 Product Features



快挂式VESA结构 Quick-hanging VESA Plate

头部采用U型切口+葫芦口快挂设计，无需工具，单人操作仅需十余秒即可完成显示器安装或更换。频繁调整，轻松应对，效率翻倍。

The head features a cleverly engineered quick-hanging design with a U-shaped cutout and keyhole slot, allowing a single person to mount or remove the monitor in just seconds. This greatly simplifies frequent monitor replacement or adjustment.

规格信息 Specification Information

产品参数 Specifications

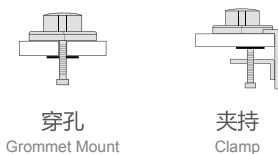
| | | | |
|---|--------|--|--------------------------|
|  显示器尺寸 LCD size | 17~34" |  俯仰角度 Tilt | +90~-12° |
|  承重范围 Wt.Capacity | 2-9kg |  升降 Lifting Range | 260mm |
|  旋转角度 Pivot | 360° |  VESA | 75×75 100×100 |
|  左右摆动 Swivel | ±90° |  穿夹桌面厚度 Desk Thickness | 穿孔：10-80mm 夹具：10-80mm |

可选颜色 Color Options

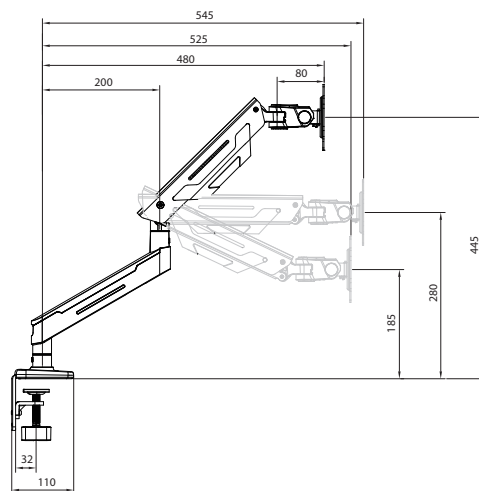


- 黑色
Black

安装方式 Installation Method



安装方式 Installation Method











400-600-5155
上海新慧想科技有限公司

SHANGHAI NEW THINKWISE TECHNOLOGY CO., LTD