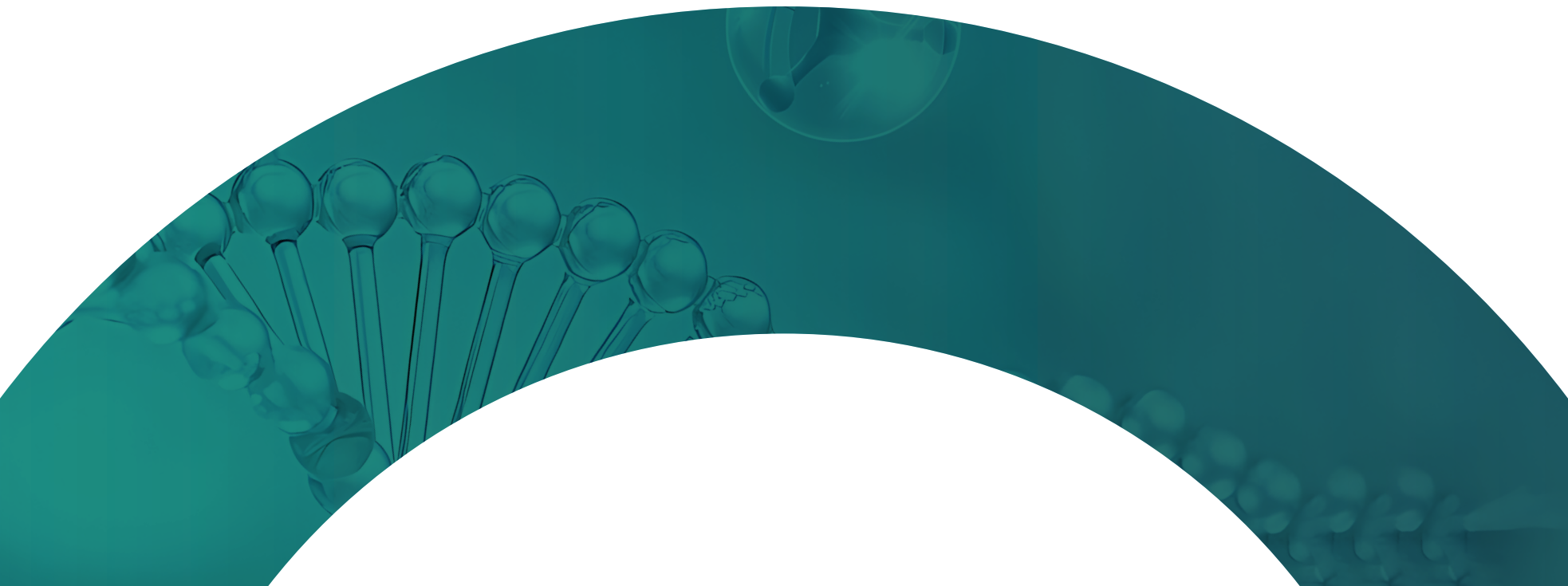


hexergo[®] 慧想

医疗系列产品手册

PRODUCT BROCHURE



MOVE TO CREATE

创 随 心 动

目录 CONTENTS

● 品牌介绍

● 企业荣誉

● 权威认证

● 品牌优势

● 产品介绍

AM3医疗支架

AM5病房支架

品牌介绍 Product Features

上海新慧想科技有限公司，自 2008 年创立以来，致力于通过人性化科技改善人们的工作与生活，是一家专注于健康办公全栈解决方案的高新技术企业。慧想不仅在商用与家居领域深耕不辍，更将在人体工学领域积累的深厚技术底蕴与创新精神，全面注入医疗健康这一关键领域，开创了智能医疗支架的全新产品维度。

从办公到医疗，是使命的延伸，也是技术的升华。我们深刻理解医疗环境对安全性、可靠性与人性化关怀的极致要求。因此，慧想医疗产品线均以“交互”为核心，以“人体工学”为基石进行精心设计。我们采用医疗级材料与机械弹簧，实现精准、稳定的悬停调节；全内走线设计不仅整洁美观，更有效抵御消毒液侵蚀，满足医院高阶感染控制标准。

慧想医疗支架系统旨在为医护人员优化工作流程，减轻身体负担，提升诊疗效率；同时，也为患者带来更舒适、更可达的信息与娱乐体验，降低在陌生环境中的焦虑感，助力构建和谐、信任的医患关系。

慧想不仅是一家科技企业，更是医疗人文关怀的践行者。公司拥有百余项专利的研发实力、符合 ISO 标准的现代化工厂以及最长可达 10 年质保的品质承诺。如今，慧想正将这份对“创造”的热情与对“品质”的执着，全面服务于医疗空间的智能化升级。



Shanghai New Thinkwise Technology Co., Ltd., founded in 2008, has been dedicated to improving people's work and life through human-centered innovation. As a high-tech enterprise specializing in comprehensive solutions for ergonomic office environments. Thinkwise has not only established a strong presence in both commercial and home sectors but is now extending its deep expertise in ergonomics and innovative spirit into the field of medical healthcare, pioneering a new dimension of intelligent medical monitor arm systems.

From office solutions to healthcare equipment, we continue our mission while elevating the technology. We deeply understand the medical environment's uncompromising demands for safety, reliability, and human-centered care. Therefore, every Thinkwise medical product is meticulously designed with "interaction" as its core concept and "ergonomics" as its foundation.

By using medical-grade materials and mechanical spring technology, we achieve precise and stable motion adjustments. The internal cable wiring design not only maintains aesthetic tidiness but also effectively resists disinfectant corrosion and meets the high standards of hospital infection control.

Thinkwise Medical Arm System aims to optimize workflows for healthcare professionals, reduce physical strain, and enhance clinical efficiency. It also delivers more comfortable entertainment experiences and accessible information for patients, helping to reduce anxiety in unfamiliar environments and fostering trust and harmony between doctors and patients.

Thinkwise is not merely a tech company, but a pioneer in medical humanistic care. With over 100 patents, ISO-certified modern manufacturing facilities, and Up to 10-year Warranty Commitment, the company channels its passion for innovation and commitment to excellence into intelligent upgrades for healthcare spaces.

We look forward to collaborating with global medical equipment manufacturers, hospitals, and system integrator to safeguard every aspect of health with Ingenuity and Technology.





人体工学支臂 **AE3** 系列

智造奖 (工业产品设计)

银奖

AE3 Series Monitor Stand
IAI Silver Award -Industrial Design

人体工学支臂 **AE5** 系列

智造奖 (工业产品设计)

铜奖

AE5 Series Monitor Stand
IAI Bronze Award -Industrial Design

权威认证 Authoritative Certification

高新技术企业

High Technology Enterprises



专精特新中小企业

Specialized and sophisticated SMEs



权威认证 Authoritative Certification



以创新技术为基石，以严苛质控与合规制造为准绳，为客户呈献超越期待的高标准解决方案。

Leveraging advanced technology and a rigorous quality control system,
we adhere to compliant manufacturing standards and are committed to providing you with high-standard professional solutions.

品牌优势 Brand Advantage



提供支持 Technical Support

提供技术支持和培训服务
Providing technical assistance and professional training services



质量保证 Quality Assurance

提供材料测试与功能测试证书
Offering material and functional test certifications



高标准产业链 High-Standard Production Line

现代化工厂车间，标准化生成
Modern factory workshop, standardized production



高性价比 Cost-effectiveness

源头工厂，全面管控成本更可靠
Source factory manufacturing for reliable and controlled costs



产品介绍 Product Introduction



| AM3 系列

产品简介 Product Introduction

慧想 AM3 医疗支架，医疗级双机械弹簧赋能精准悬停，双动臂协同实现全角度丝滑体验。适配各类医疗仪器，灵活满足多角度、多场景使用需求。双层线材管理整洁易消毒，头部与底座支持客制化，多安装模式，折叠省空间，为医疗场景提供稳定便捷解决方案。

Hexergo AM3 Medical Bracket: Equipped with medical-grade dual mechanical springs, it enables precise hovering. The dual-arm coordinated movement delivers a smooth full-angle experience. Compatible with various medical instruments, it flexibly meets the needs of multi-angle and multi-scenario use. Its double-layered cable management keeps it neat and easy to disinfect. The head and base support customization, and it offers multiple installation methods. It can be folded to save space, providing a stable and convenient solution for medical scenarios.



产品介绍 Product Introduction



专用铰链设计 Specialized Hinge Design

双动臂协同运动，保持全角度丝滑体验，并拥有更长的使用寿命。不使用时可垂直折叠，以节省空间。

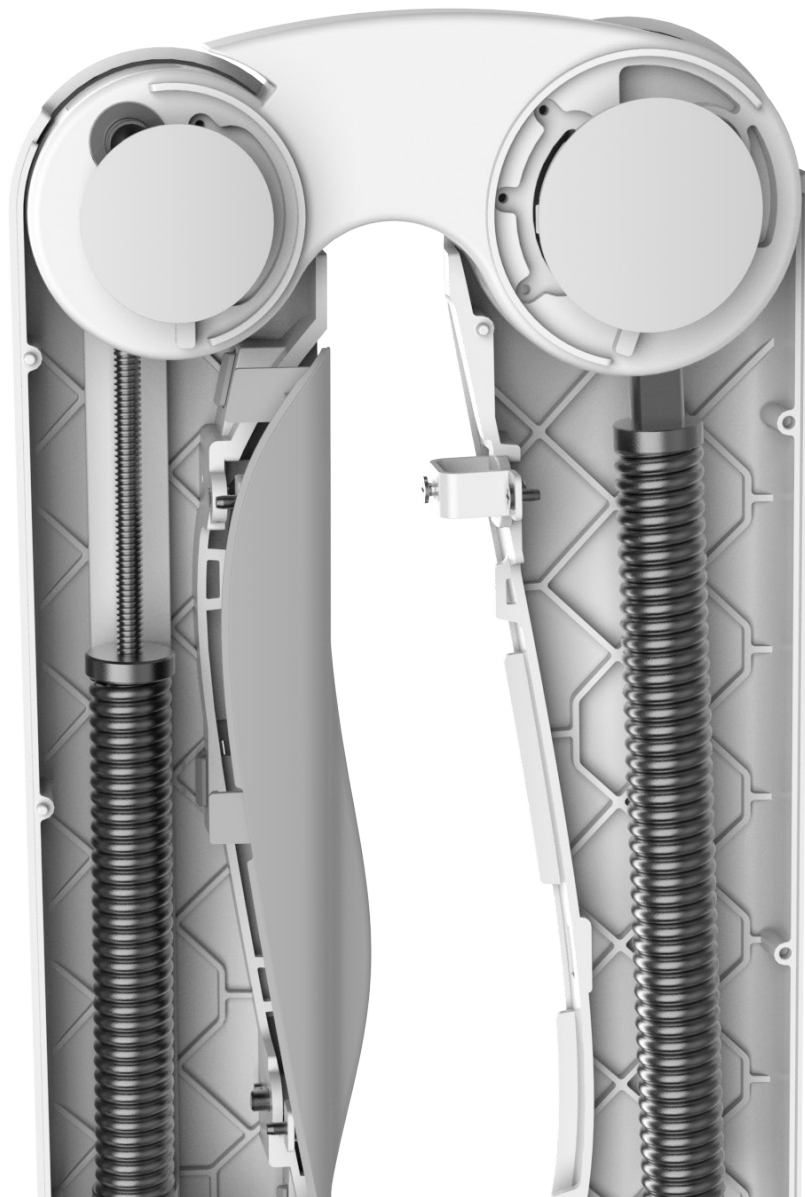
The dual-arm coordinated movement ensures a smooth full-angle experience and extended service life. When not in use, it can be folded vertically for space-saving storage.

产品介绍 Product Introduction

医疗级双机械弹簧 Medical-Grade Dual Mechanical Spring

特研医疗级机械弹簧，带来更精准的角度指向，更稳定的悬停表现。

Specially developed medical-grade mechanical springs deliver more precise angle positioning and enhanced stability for smooth hovering performance.



产品介绍 Product Introduction



双层线材管理结构 Double Layered Cable Management Structure

内层金属卡扣+外层ABS卡扣，应对不同直径的过线需求，更少的线材外露，保持外观整洁的同时，方便表面消毒。

Inner metal buckle+outer ABS buckle, to meet the requirements of different diameters of cable passing, with less exposed cable, maintaining a clean appearance while facilitating surface disinfection.

产品介绍 Product Introduction









客制化安装结构 Customized Installation Structure

头部与底座均可支持客制化定制结构，搭配不同的产品使用，也可应对多种安装环境。

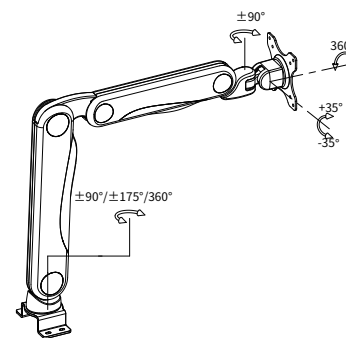
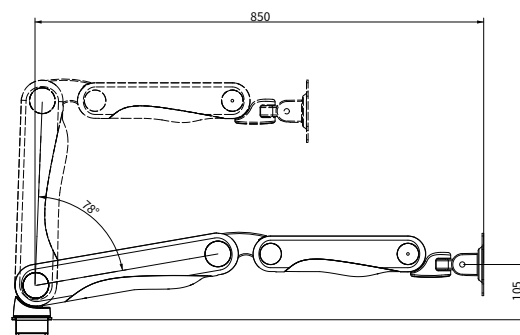
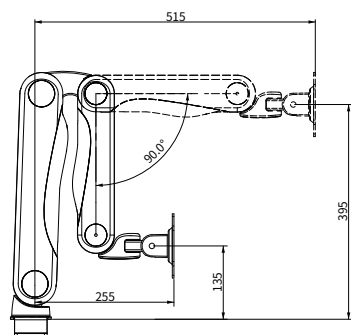
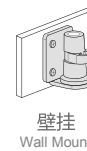
Both the head and base can support customized structures, which can be used with different products and can also adapt to various installation environments.

产品介绍 Product Introduction

产品参数 Specifications

 承重范围 Wt.Capacity	2-9kg	 俯仰角度 Tilt	$\pm 35^\circ$
 旋转角度 Pivot	360°	 升降范围 Lifting Height	260mm
 左右摆动 Swivel	$\pm 90^\circ$	 拉伸范围 Extension Range	595mm

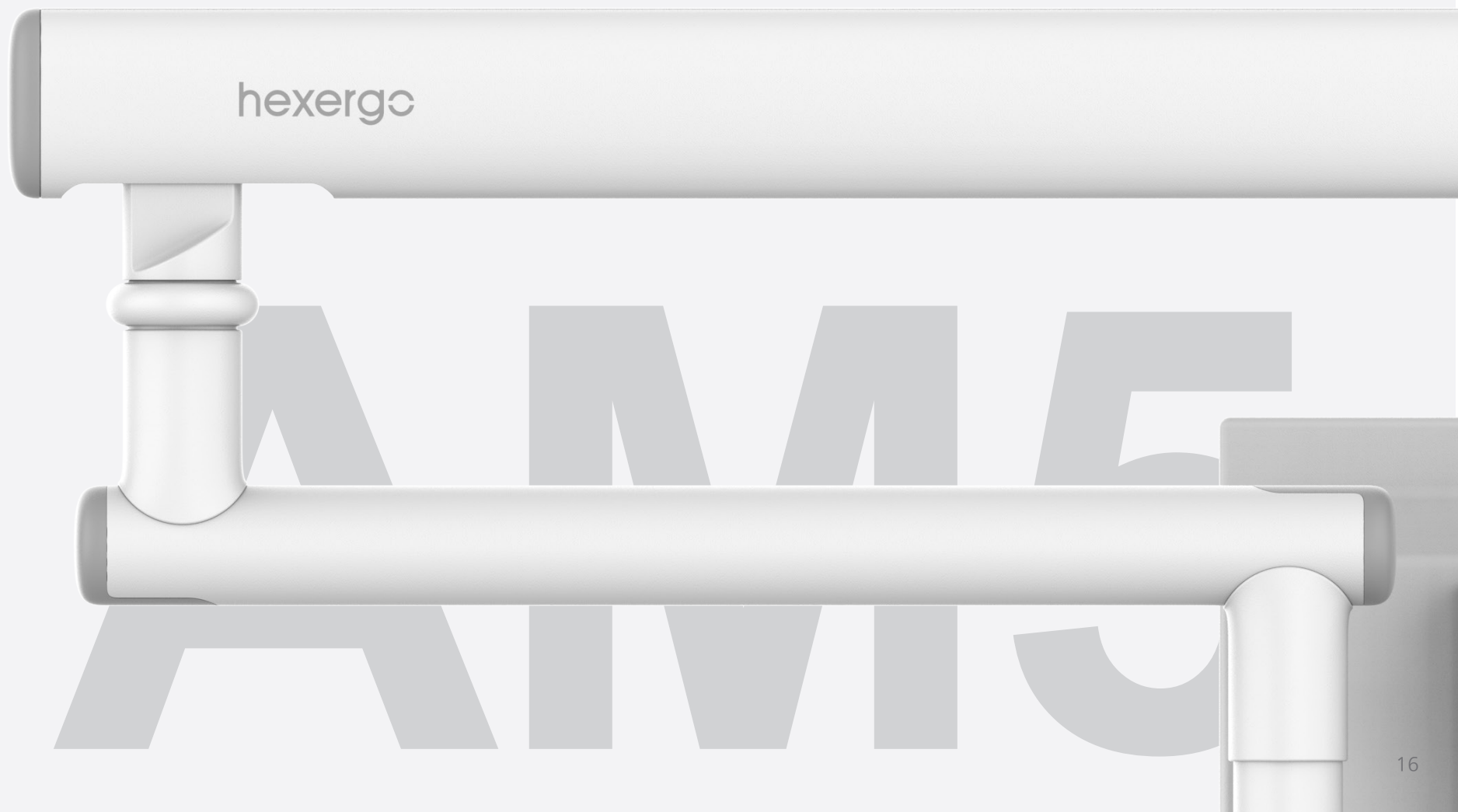
标准安装方式 Standard Installation Method







产品介绍 Product Introduction



AM5 系列

产品简介 Product Introduction

AM5 病房支架为患者和医护人员提供便捷的医用环境显示设备支持。支持多方位调节和旋转，最大伸长距离可达 1.27m，不使用时可折叠收起，节省空间。其管内走线设计有效避免杂乱，方便医疗清洁。设定挂壁、托盘底座、吊顶、适配医疗设备四种安装方式。

The AM5 ward bracket provides convenient medical environment display equipment support for patients and medical staff. Supports multi-directional adjustment and rotation, with a maximum extension distance of up to 1.27m. It can be folded and stored when not in use, saving space. The wiring design inside the tube effectively avoids clutter and facilitates medical cleaning. Set up four installation methods: wall mounted, tray base, suspended ceiling, and compatible with medical equipment.



产品介绍 Product Introduction

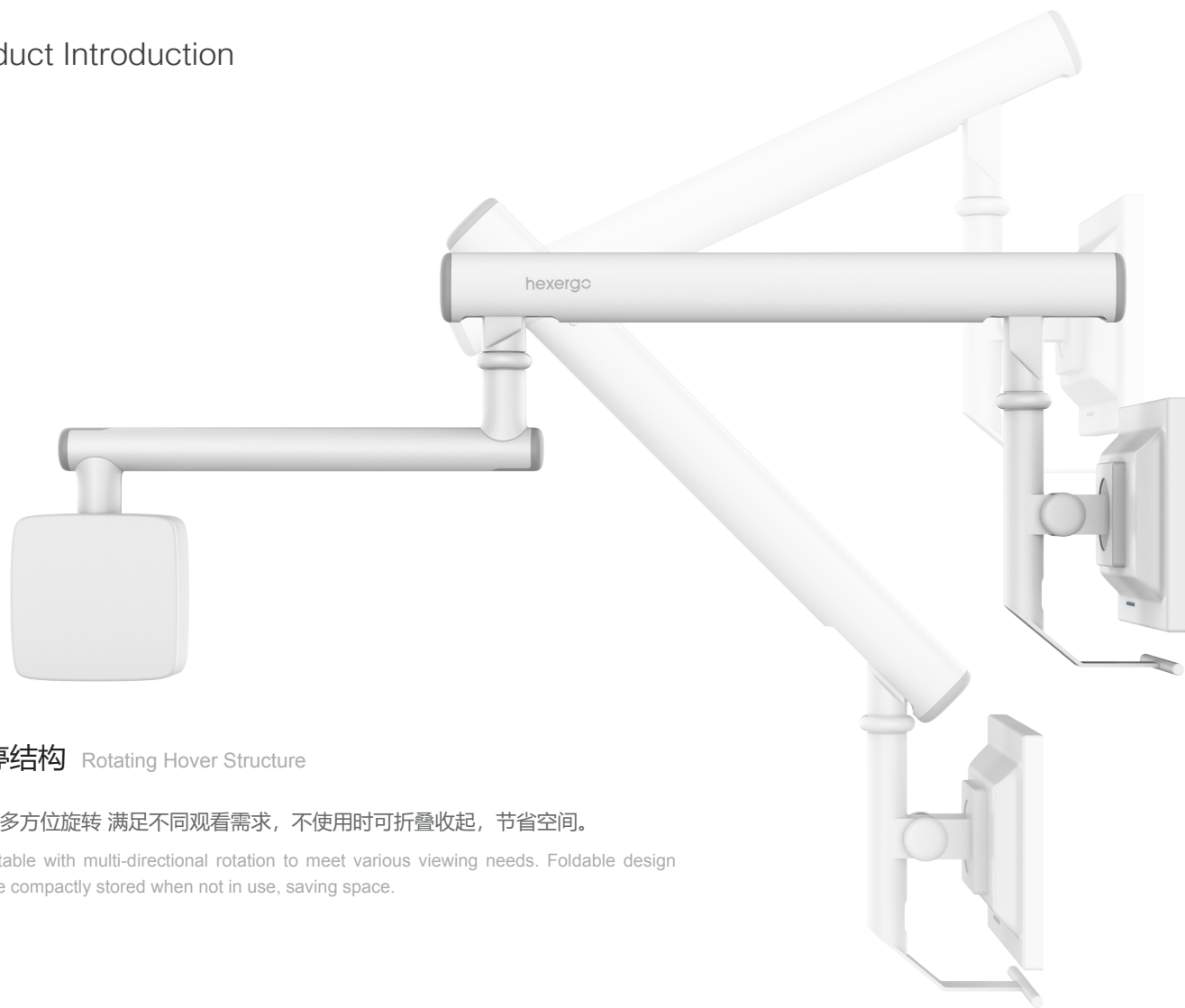


医疗器械标准选材 Selection of Medical-Grade Materials and Equipment Standards

优质选材，铝合金+表面液体烤漆工艺，方便表面医疗清洁。

High-quality materials, featuring an aluminum alloy body with a liquid baking finish, ensure durability and ease of surface cleaning for medical use.

产品介绍 Product Introduction



旋转悬停结构 Rotating Hover Structure

自由调节，多方位旋转 满足不同观看需求，不使用时可折叠收起，节省空间。

Freely adjustable with multi-directional rotation to meet various viewing needs. Foldable design allows it to be compactly stored when not in use, saving space.

产品介绍 Product Introduction

医疗级机械弹簧 Medical Grade Mechanical Spring

特研医疗级机械弹簧，带来更精准的角度指向，更稳定的悬停表现。

Specially developed medical-grade mechanical springs offer more precise angle positioning and enhanced stability during hovering.

产品介绍 Product Introduction



全内走线 Full Internal Wiring

减少线材外露，保持外观整洁的同时，可通过医院等级氯漂白剂基础的解决方案进行外部清洁。

Full internal wiring reduces wire exposure and maintains a clean appearance. The surface can be cleaned using hospital-grade chlorine-based disinfectants.

产品介绍 Product Introduction

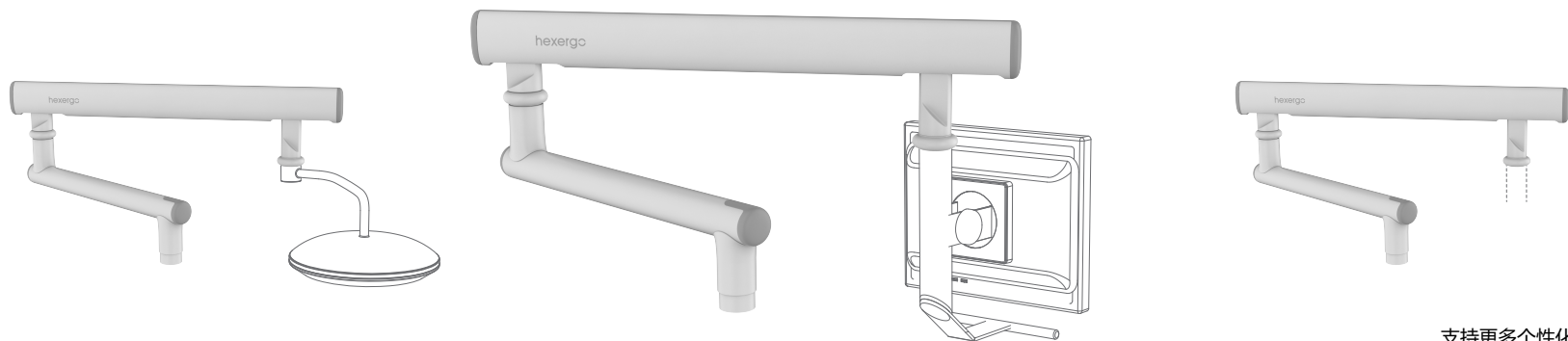


拉杆把手 Pull Rod Handle

带来更便捷的移动体验，拖动显示器位置时，避免接触屏幕带来的污染。

The pull-rod handle provides a more convenient mobile experience and helps prevent contamination from touching the screen while adjusting the monitor's position.

产品介绍 Product Introduction



支持更多个性化定制.....


定制化安装结构 Customized Installation Structure

头部、底座与定臂长度均可支持定制化定制结构，搭配不同的产品使用，也可应对多种安装环境。

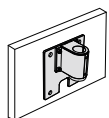
The head, base, and fixed arm length can be customized to accommodate various products and adapt to different installation environments.

产品介绍 Product Introduction

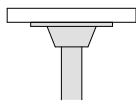
产品参数 Specifications

 承重范围 Wt.Capacity	2-7.5kg	 俯仰角度 Tilt	+30°~-30°
 旋转角度 Pivot	360°	 升降 Lifting Height	640mm
 动臂摆幅 Arm Swing Range	+25°~-45°	 拉伸范围 Extension Range	1270mm

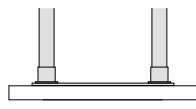
安装方式 Installation Method



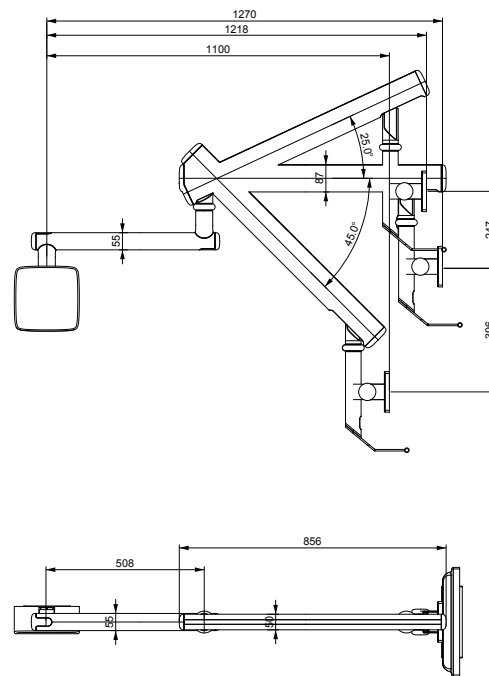
壁挂
Wall Mount



吊顶
Ceiling Mount



落地
Floor Mount











hexergo



400-600-5155
上海新慧想科技有限公司

SHANGHAI NEW THINKWISE TECHNOLOGY CO., LTD